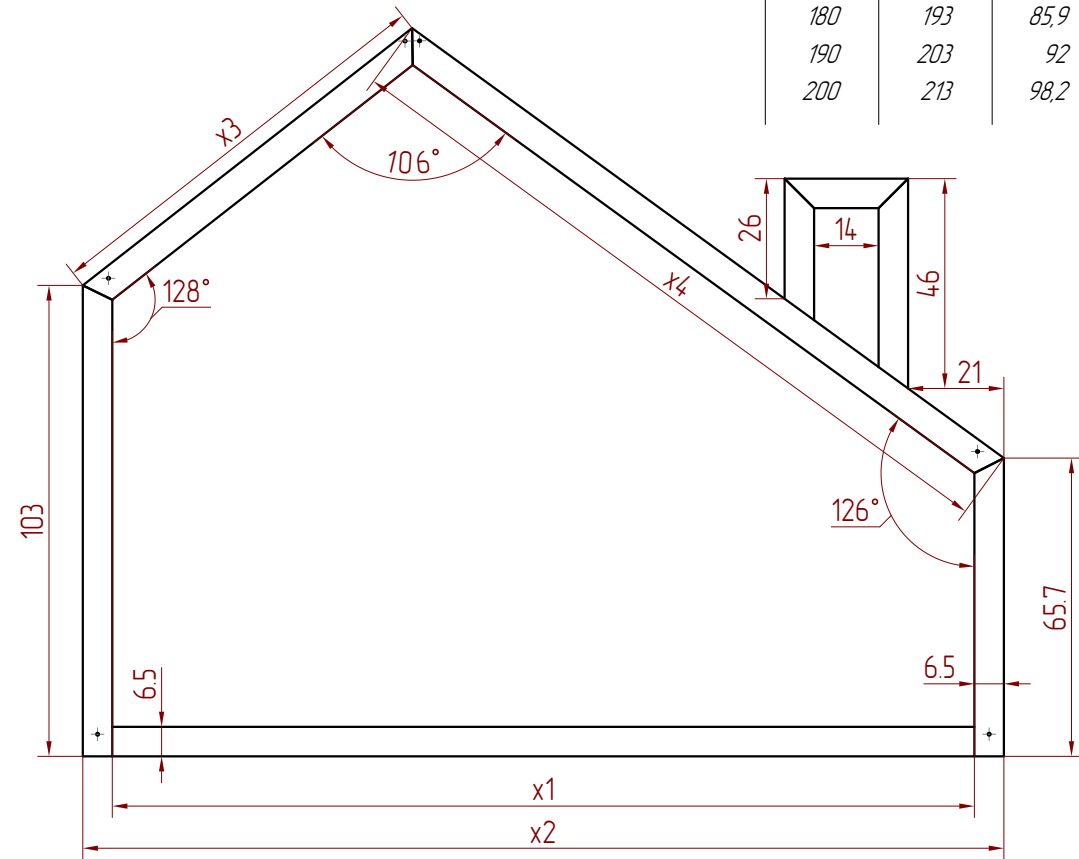
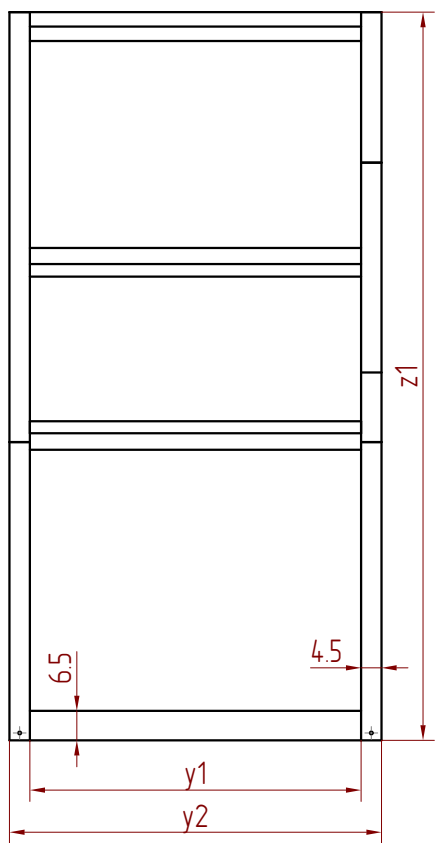


| Szerokość / Width | y1 | y2 |
|-------------------|------|-------|
| 70 | 67,5 | 76,5 |
| 80 | 77,5 | 86,5 |
| 90 | 87,5 | 96,5 |
| 100 | 97,5 | 106,5 |

| Długość / Length | x1 | x2 | x3 | x4 | z1 |
|------------------|-----|------|-------|--------|----|
| 140 | 153 | 61,5 | 129,1 | 14,16 | |
| 150 | 163 | 67,6 | 135,5 | 14,5,4 | |
| 160 | 173 | 73,7 | 142 | 14,9,2 | |
| 170 | 183 | 79,8 | 148,4 | 15,2,9 | |
| 180 | 193 | 85,9 | 154,8 | 15,6,8 | |
| 190 | 203 | 92 | 161,2 | 16,0,4 | |
| 200 | 213 | 98,2 | 167,6 | 16,4,2 | |



STALARNIA

* wymiary są wyrażone w centymetrach
 * dimensions are expressed in centimeters

| Itemref | Quantity | Title/Name, designation, material, dimension etc | | | Article No./Reference | |
|-----------------------------|------------------------|--|---------------------|------|-----------------------|--|
| Designed by D. Markiewka | Checked by Ł. Kocur | Approved by - date | File name | Date | Scale 1:1 | |
| Model:Miles 4X | | | Front and side view | | | |
| | | | | | | |