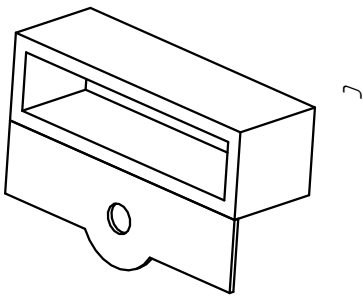


Łóżka piętrowe Miles

Instrukcja montażu

SPIS TREŚCI

1. Strona tytułowa	1
2. Spis treści	2
3. Śruby	3
4. Wykaz elementów Miles 6x, Miles 8x	4
5. Wykaz elementów Miles 7X, Miles 9X	5
6. Instrukcja montażu Miles 6X	6
7. Instrukcja montażu Miles 8X	13
8. Instrukcja montażu Miles 7X	20
9. Instrukcja montażu Miles 9X	27

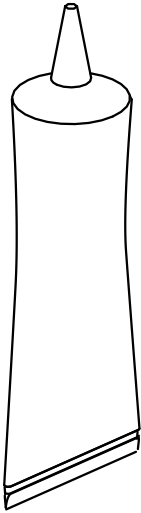


C



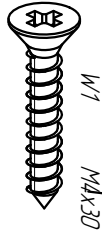
K

M10x4,5



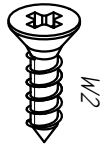
G

Glue Klej



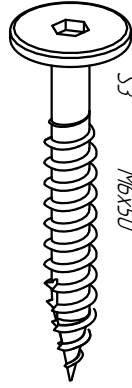
W1

M4x30

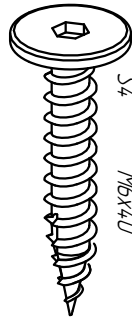


W2

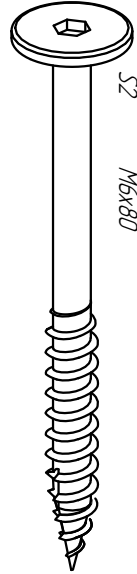
M4x16



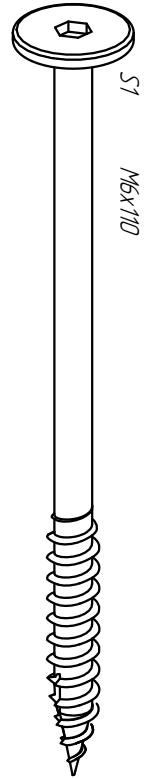
M6x50



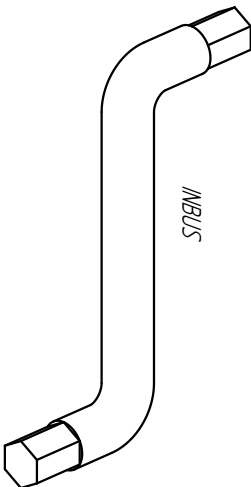
M6x40



M6x80



M6x110



INBUS

Miles 6X Miles 8X Miles 7X Miles 9X

Miles 6X	Miles 8X	Miles 7X	Miles 9X
S1 - x16	S1 - x14	S1 - x16	S1 - x14
S2 - x20	S2 - x20	S2 - x20	S2 - x20
S3 - x12	S3 - x12	S3 - x12	S3 - x12
S4 - x6	S4 - x6	S4 - x6	S4 - x6
W1 - x20	W1 - x18	W1 - x20	W1 - x18
W2 - x64	W2 - x32	W2 - x64	W2 - x32
C - x64	C - x32	C - x64	C - x32
K - x46	K - x44	K - x46	K - x44
G - x5	G - x5	G - x5	G - x5
INBUS - x1	INBUS - x1	INBUS - x1	INBUS - x1

B1

B2.1

B2.2

B3

D1.1

D1.2

D2

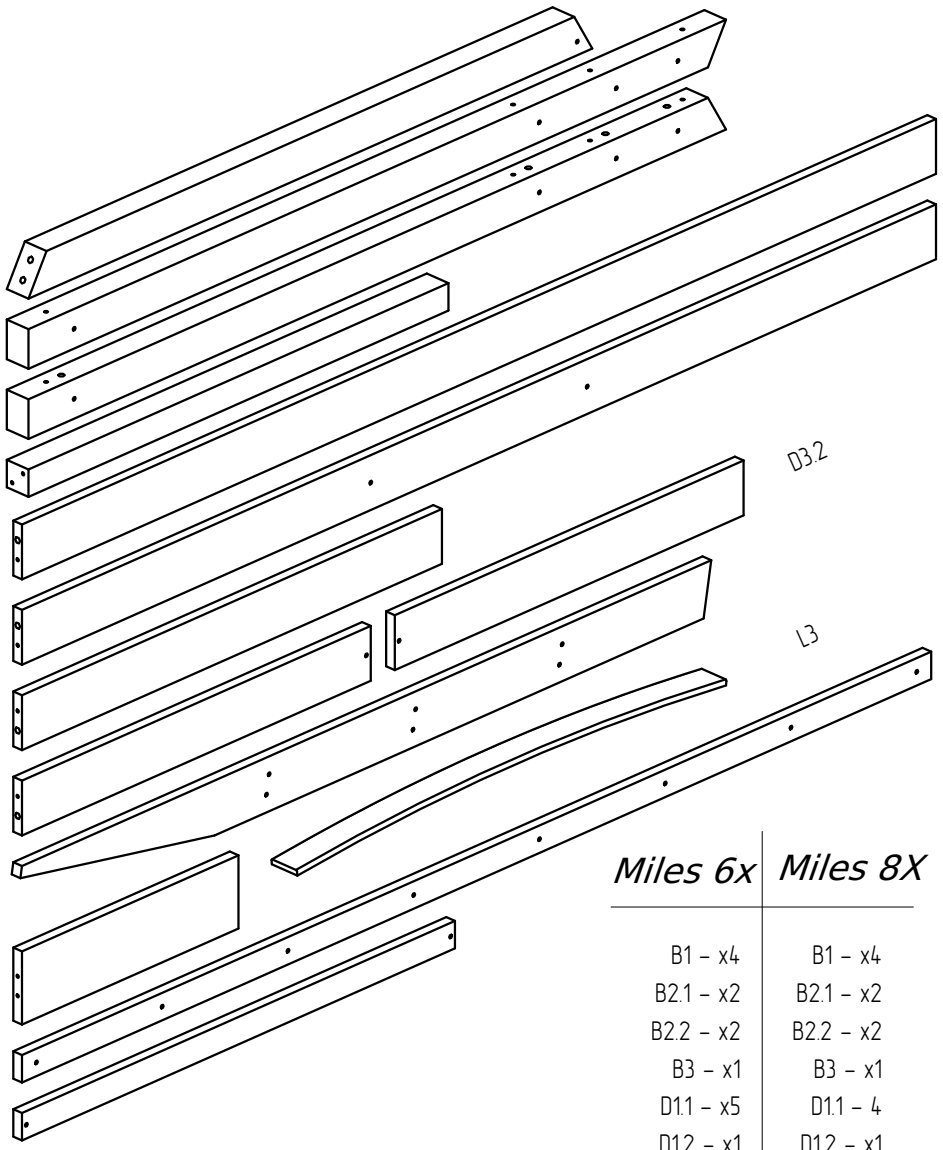
D3.1

D4

D5

L1

L2



<i>Miles 6x</i>	<i>Miles 8X</i>
B1 - x4	B1 - x4
B2.1 - x2	B2.1 - x2
B2.2 - x2	B2.2 - x2
B3 - x1	B3 - x1
D1.1 - x5	D1.1 - 4
D1.2 - x1	D1.2 - x1
D2 - x8	D2 - x8
D3.1 - x2	D3.1 - x2
D3.2 - x2	D3.2 - x2
D4 - x2	D4 - x2
D5 - x3	D5 - x3
L1 - x4	L1 - x2
L2 - x2	L2 - x1
L3 - x32	L3 - x16

B1

B2.1

B2.2

B3

D1.1

D1.2

D2

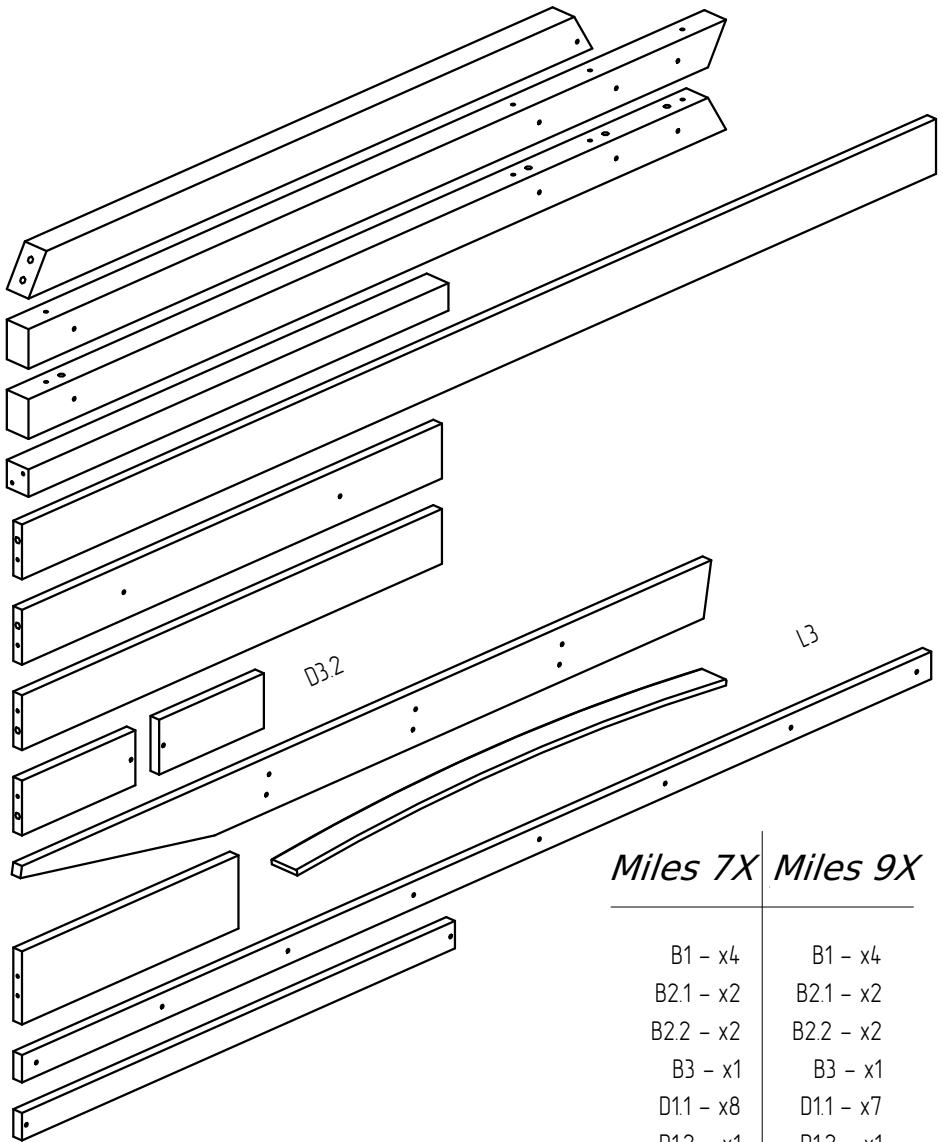
D3.1

D4

D5

L1

L2



<i>Miles 7X</i>	<i>Miles 9X</i>
B1 - x4	B1 - x4
B2.1 - x2	B2.1 - x2
B2.2 - x2	B2.2 - x2
B3 - x1	B3 - x1
D1.1 - x8	D1.1 - x7
D1.2 - x1	D1.2 - x1
D2 - x5	D2 - x5
D3.1 - x2	D3.1 - x2
D3.2 - x2	D3.2 - x2
D4 - x2	D4 - x2
D5 - x3	D5 - x3
L1 - x4	L1 - x2
L2 - x2	L2 - x1
L3 - x32	L3 - x16

Miles 6X

70x140 70x160

80x140 80x160

80x180 80x190

80x200

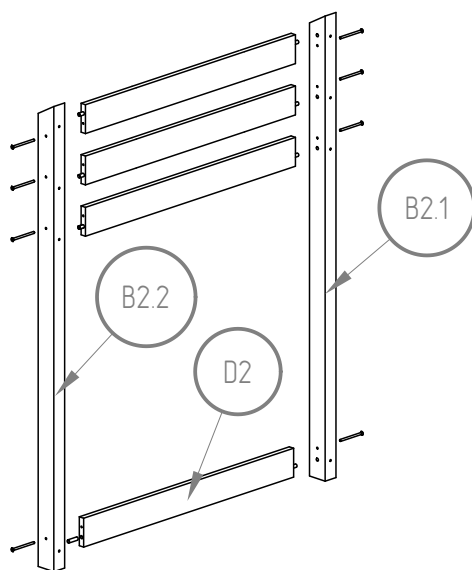
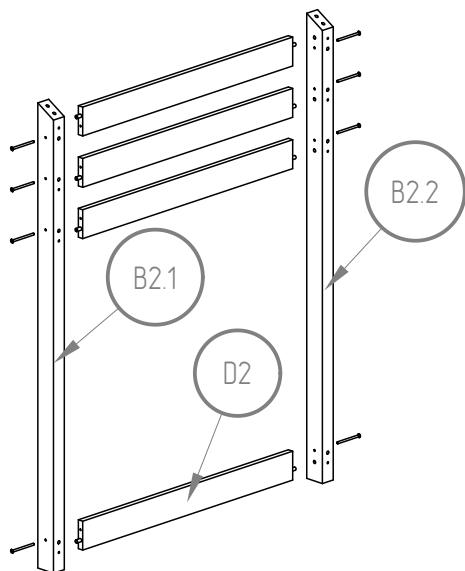
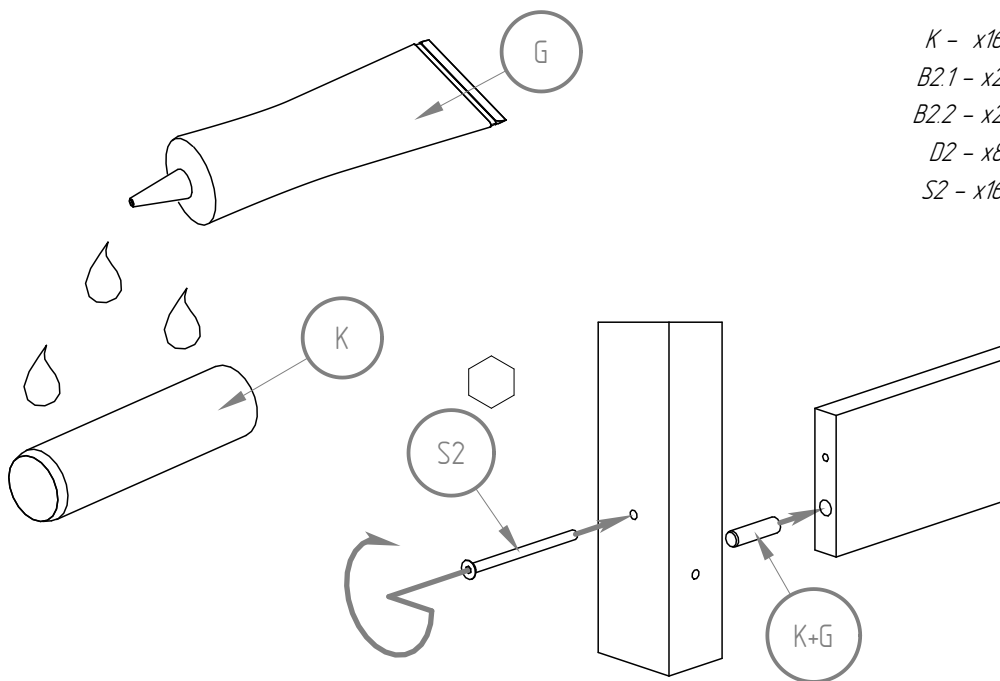
90x140 90x160

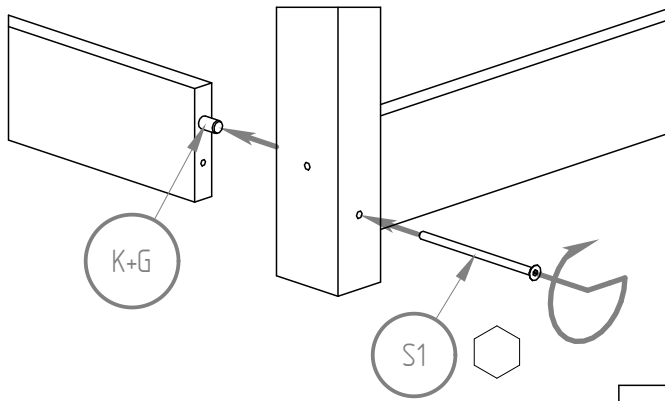
90x180 90x190

90x200

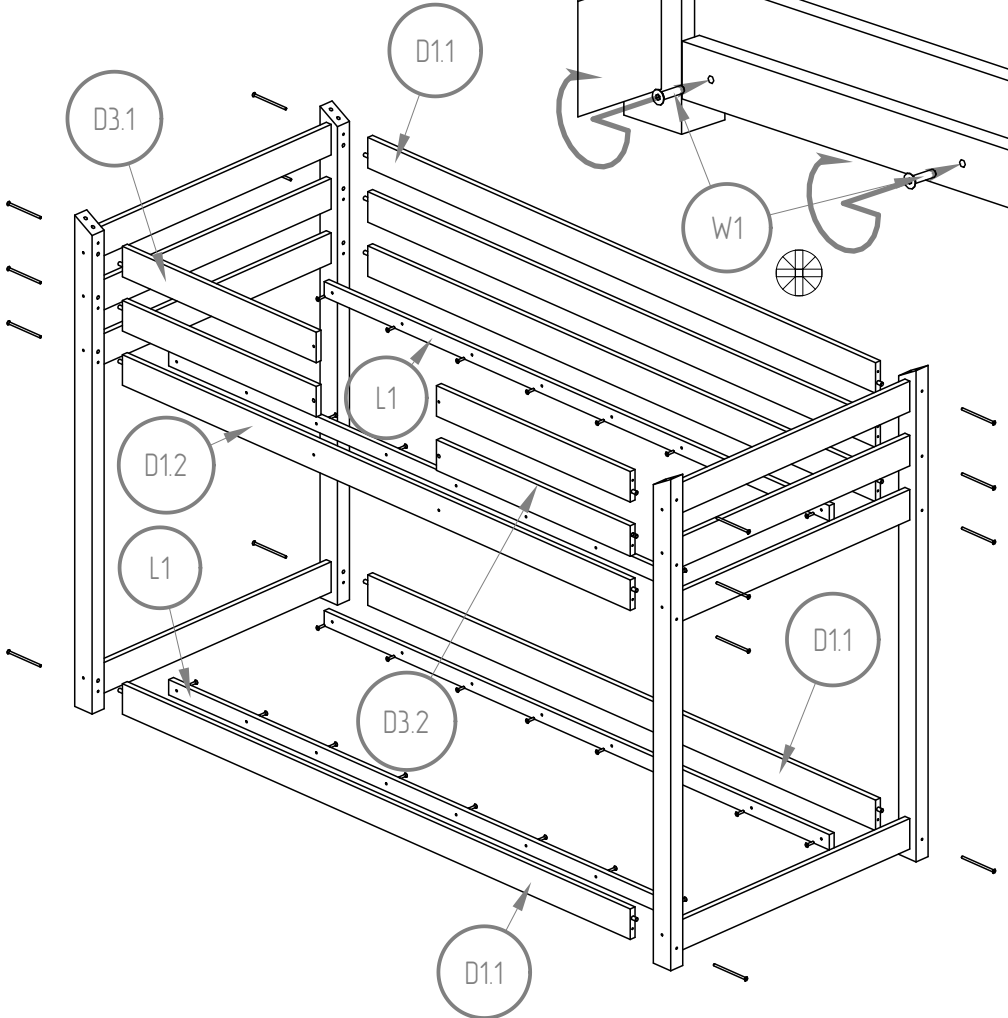
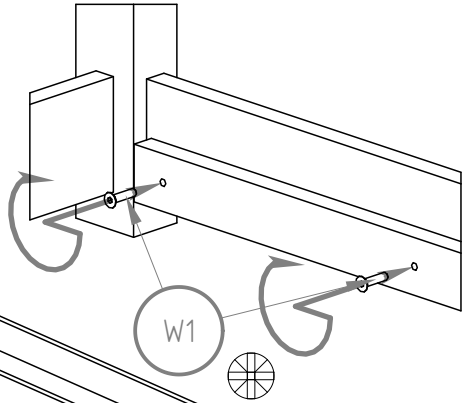


K - x16
B2.1 - x2
B2.2 - x2
D2 - x8
S2 - x16



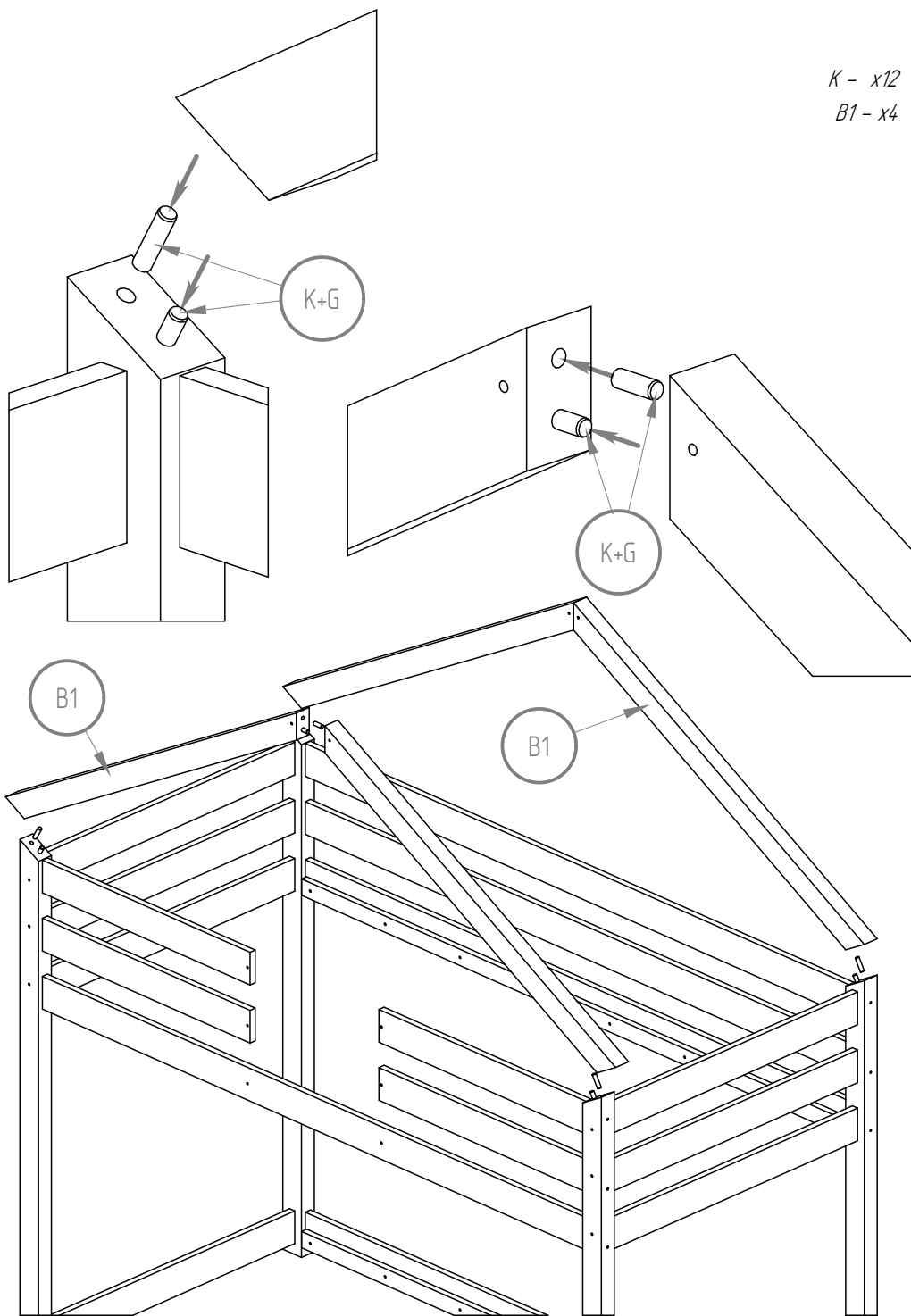


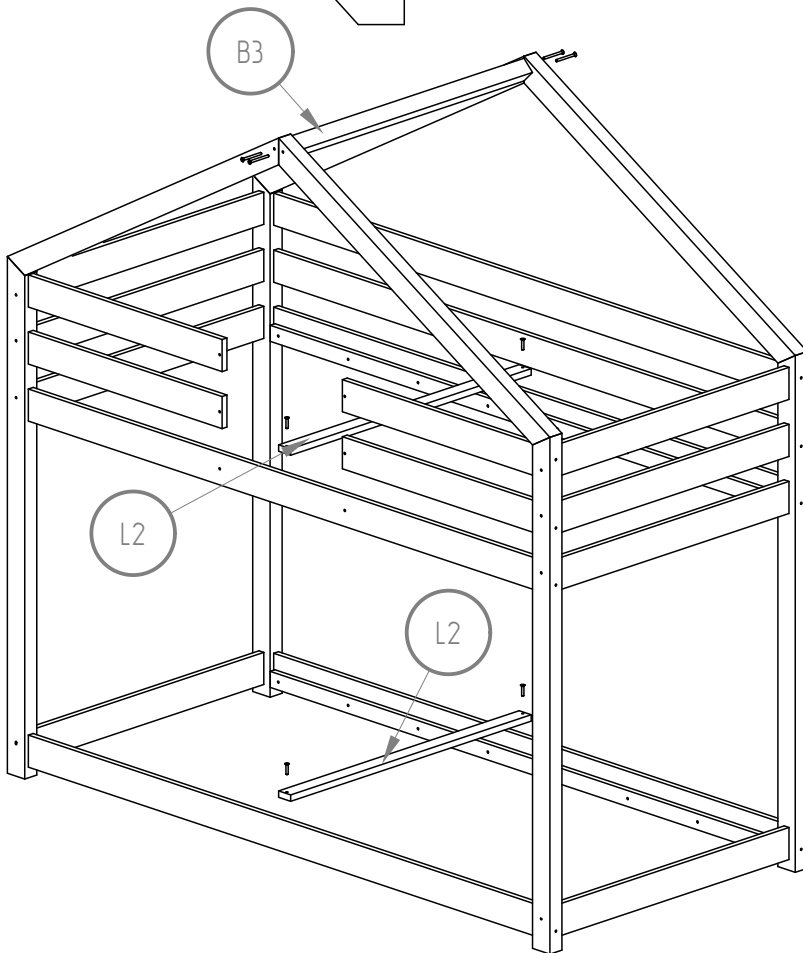
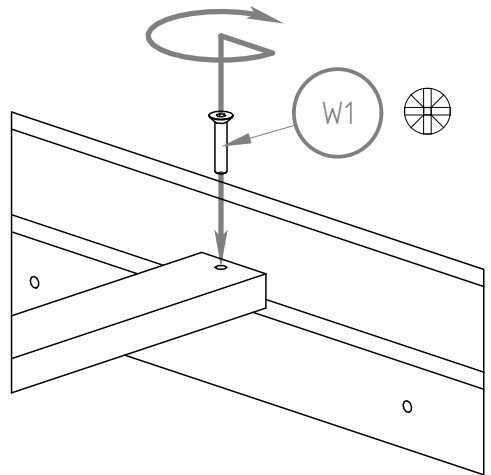
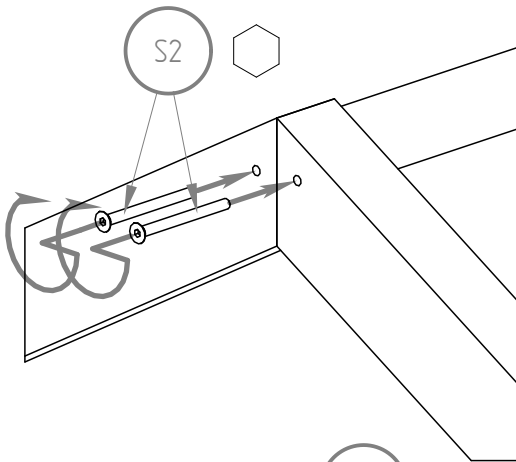
- K - x16*
- D1.1 - x5*
- D1.2 - x1*
- D3.1 - x2*
- D3.2 - x2*
- L1 - x4*
- S1 - x16*
- W1 - x32*



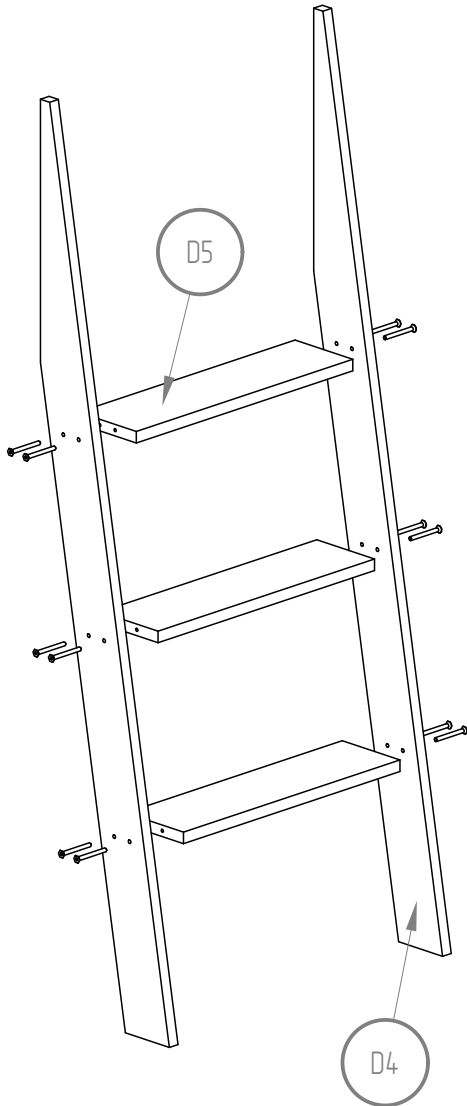
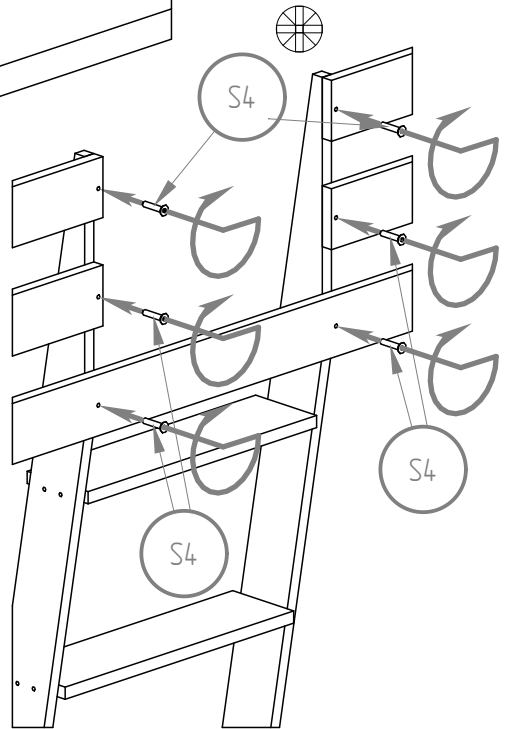
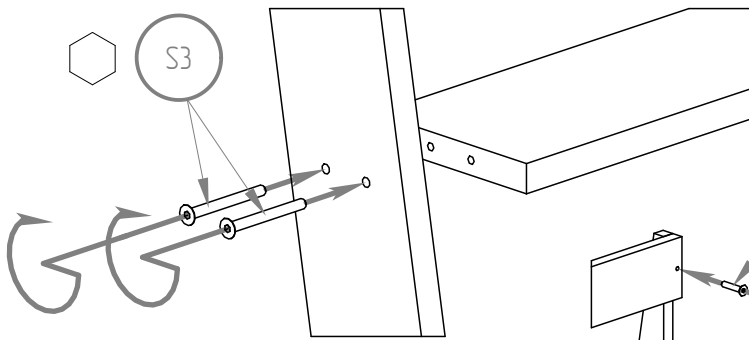
K - x12

B1 - x4

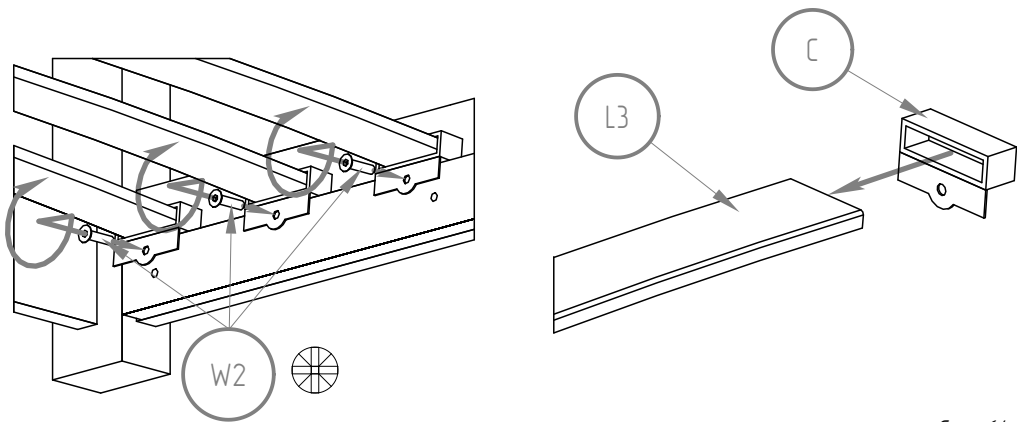




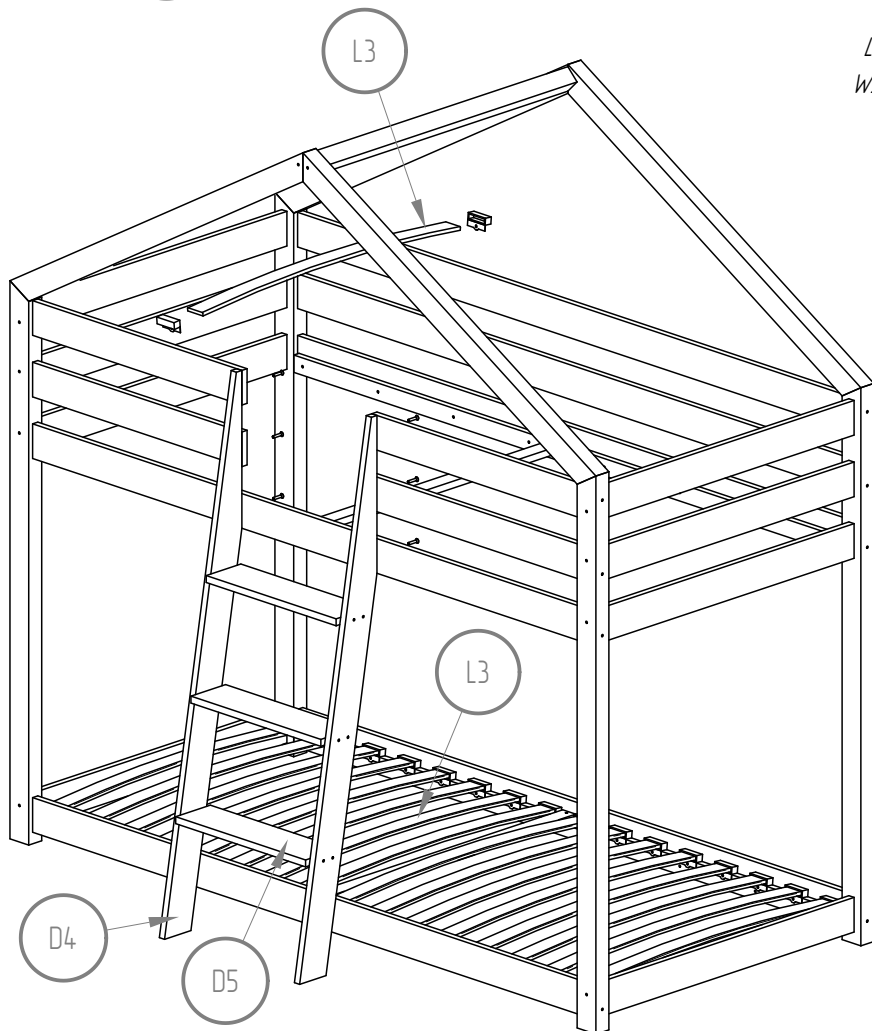
B3 - x1
L2 - x2
S2 - x4
W1 - x4



- D4 - x2*
- D5 - x3*
- S3 - x12*
- S4 - x6*



C - x64
L3 - x32
W2 - x64



Miles 8X

70x140 70x160

80x140 80x160

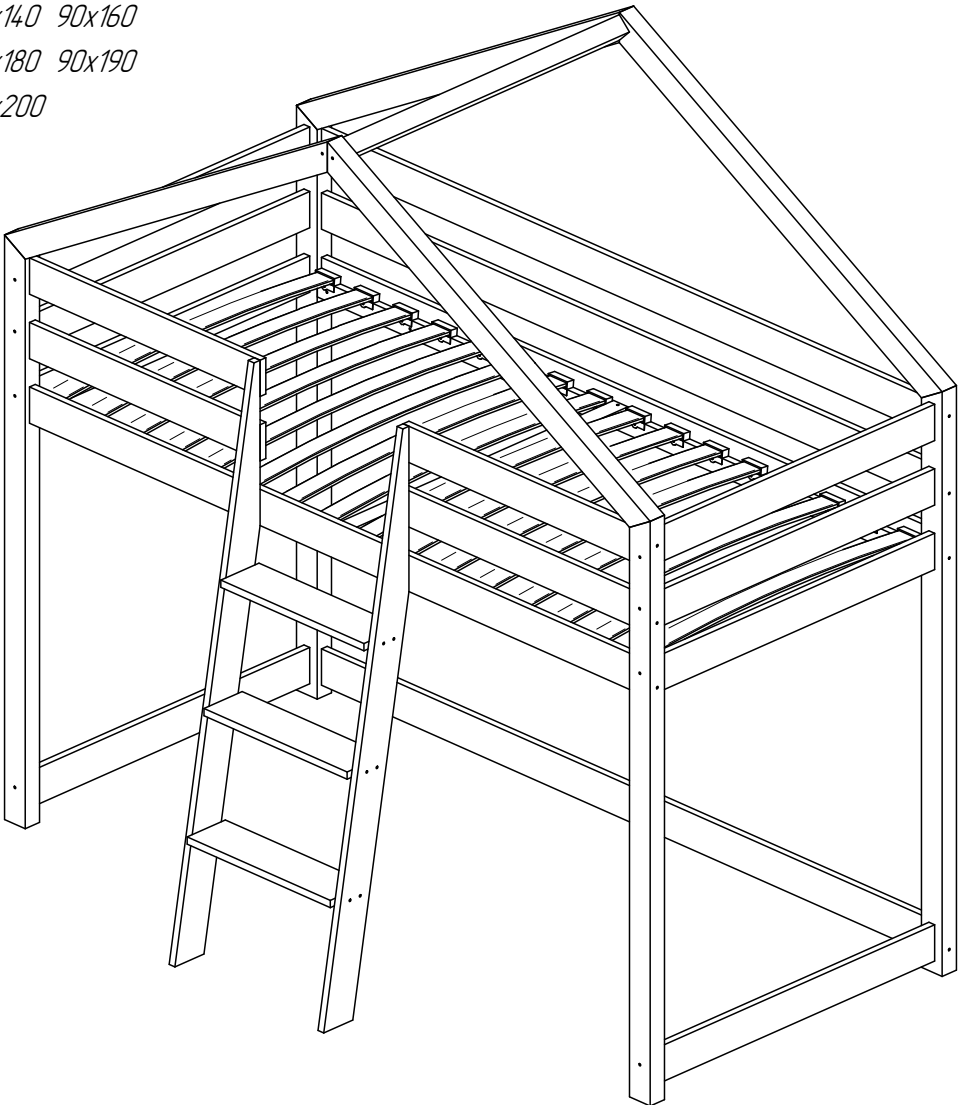
80x180 80x190

80x200

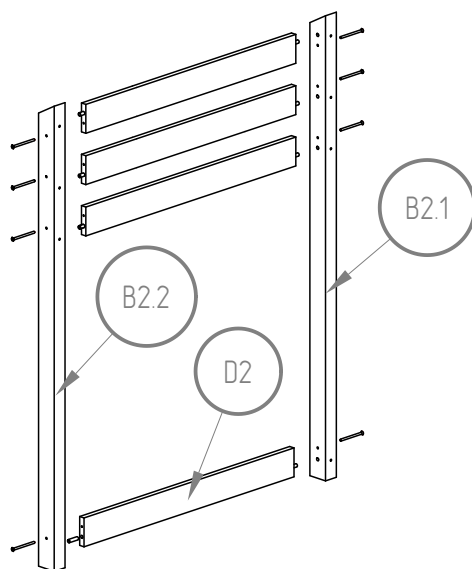
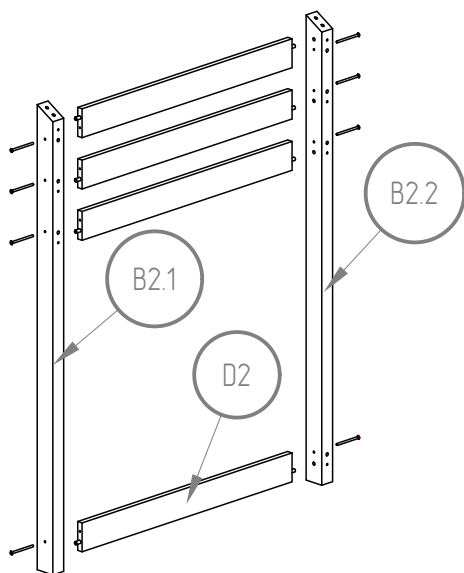
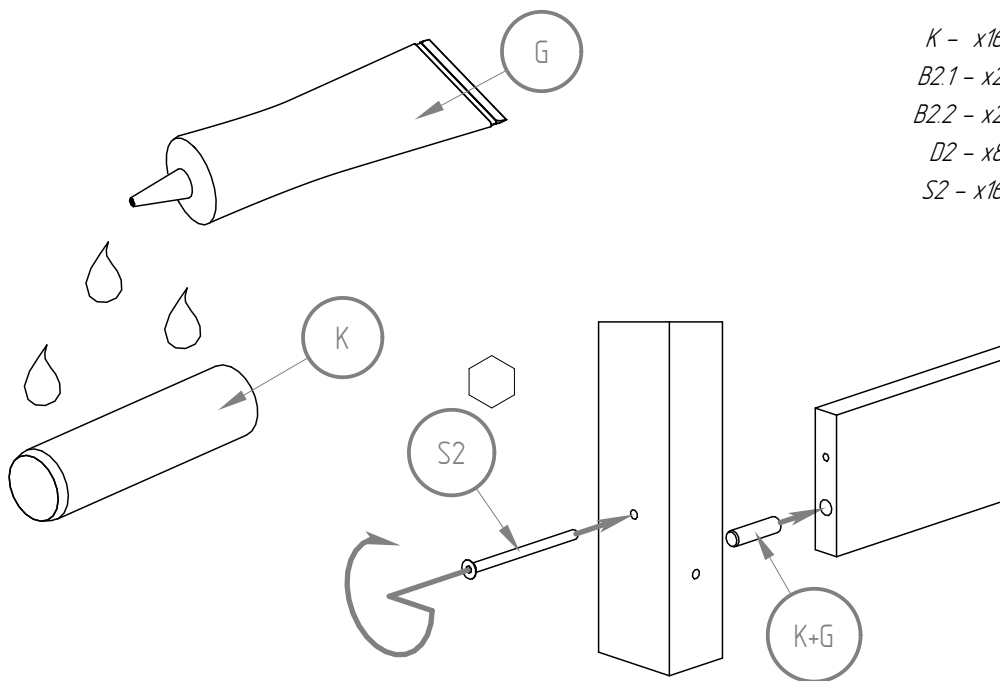
90x140 90x160

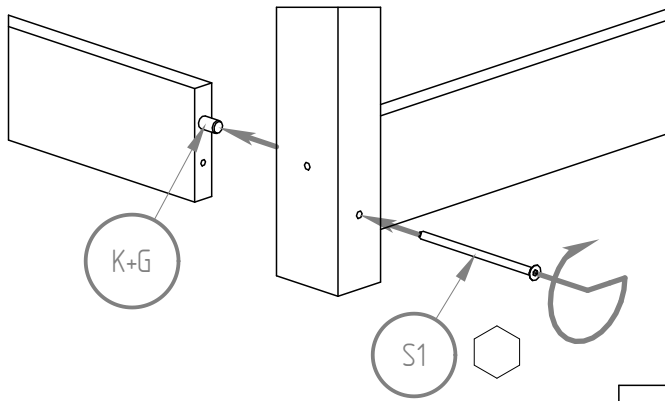
90x180 90x190

90x200

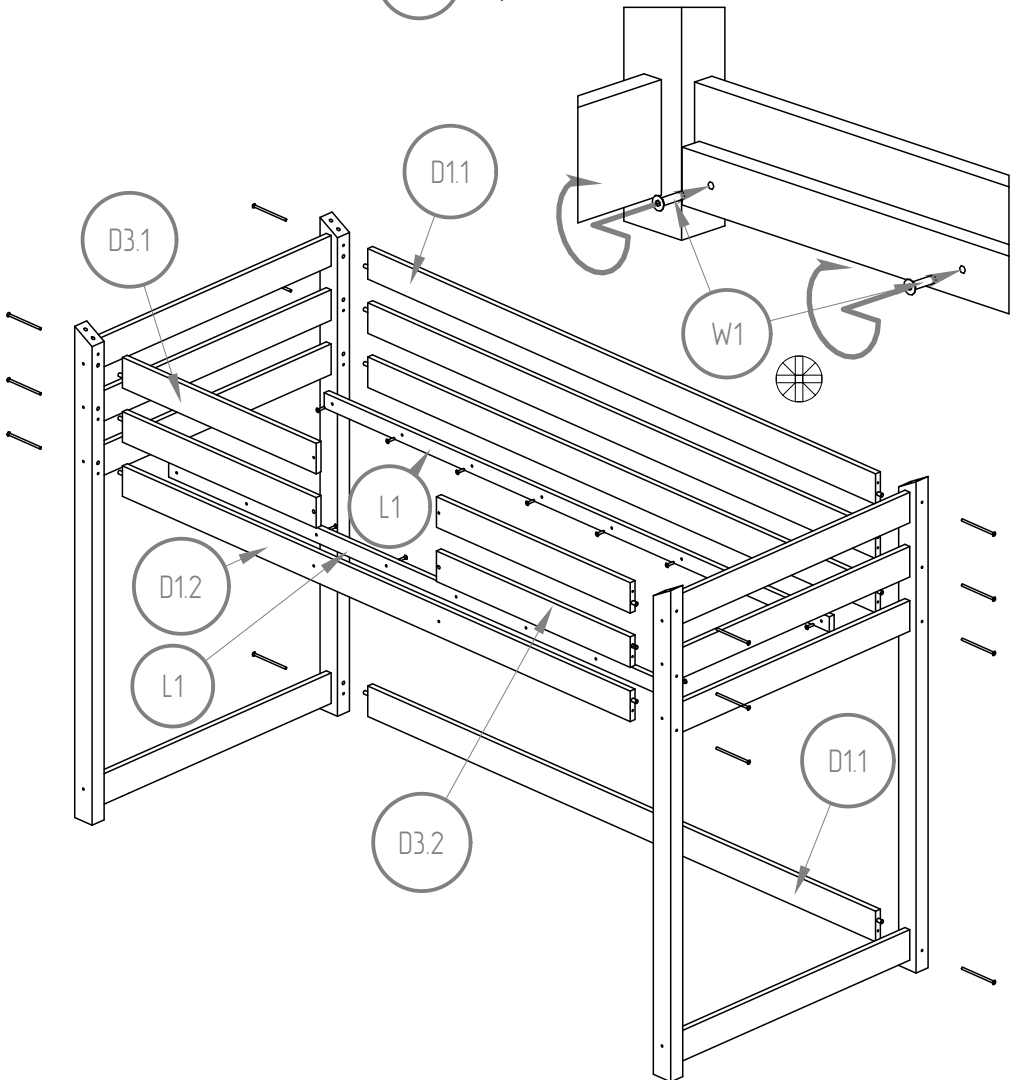


K - x16
B2.1 - x2
B2.2 - x2
D2 - x8
S2 - x16



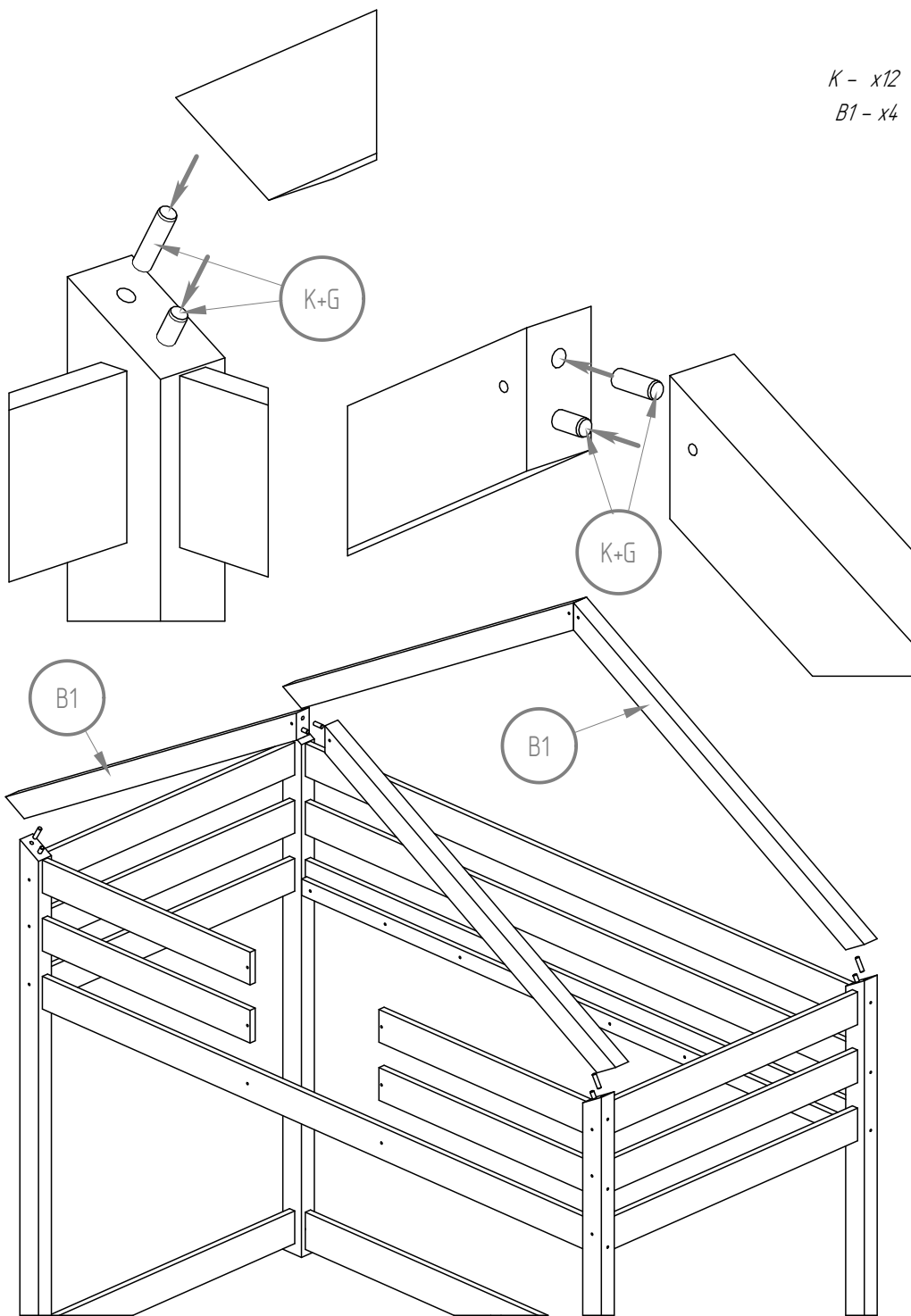


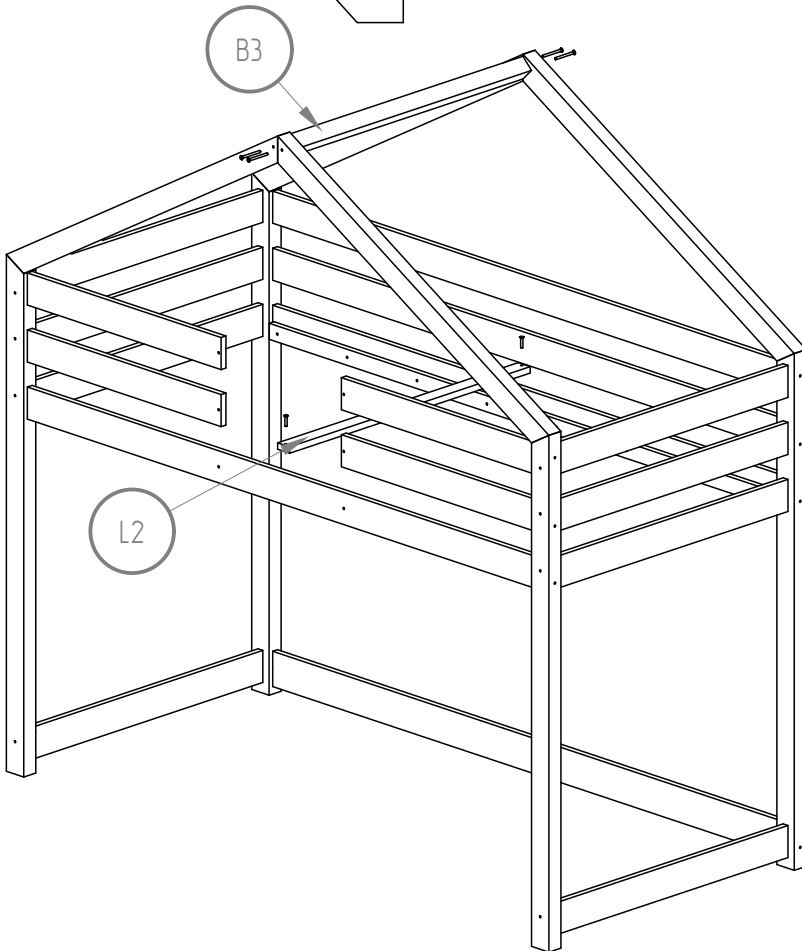
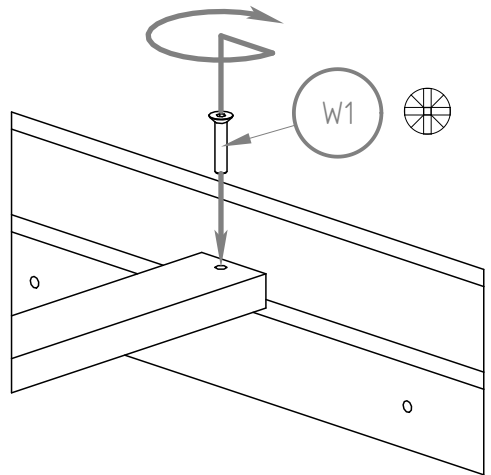
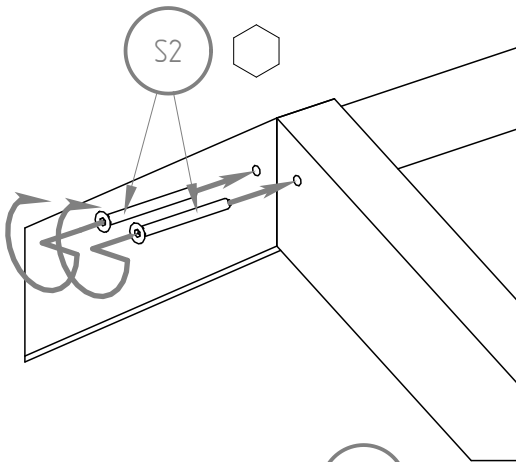
- K - x16*
- D1.1 - x4*
- D1.2 - x1*
- D3.1 - x2*
- D3.2 - x2*
- L1 - x2*
- S1 - x14*
- W1 - x16*



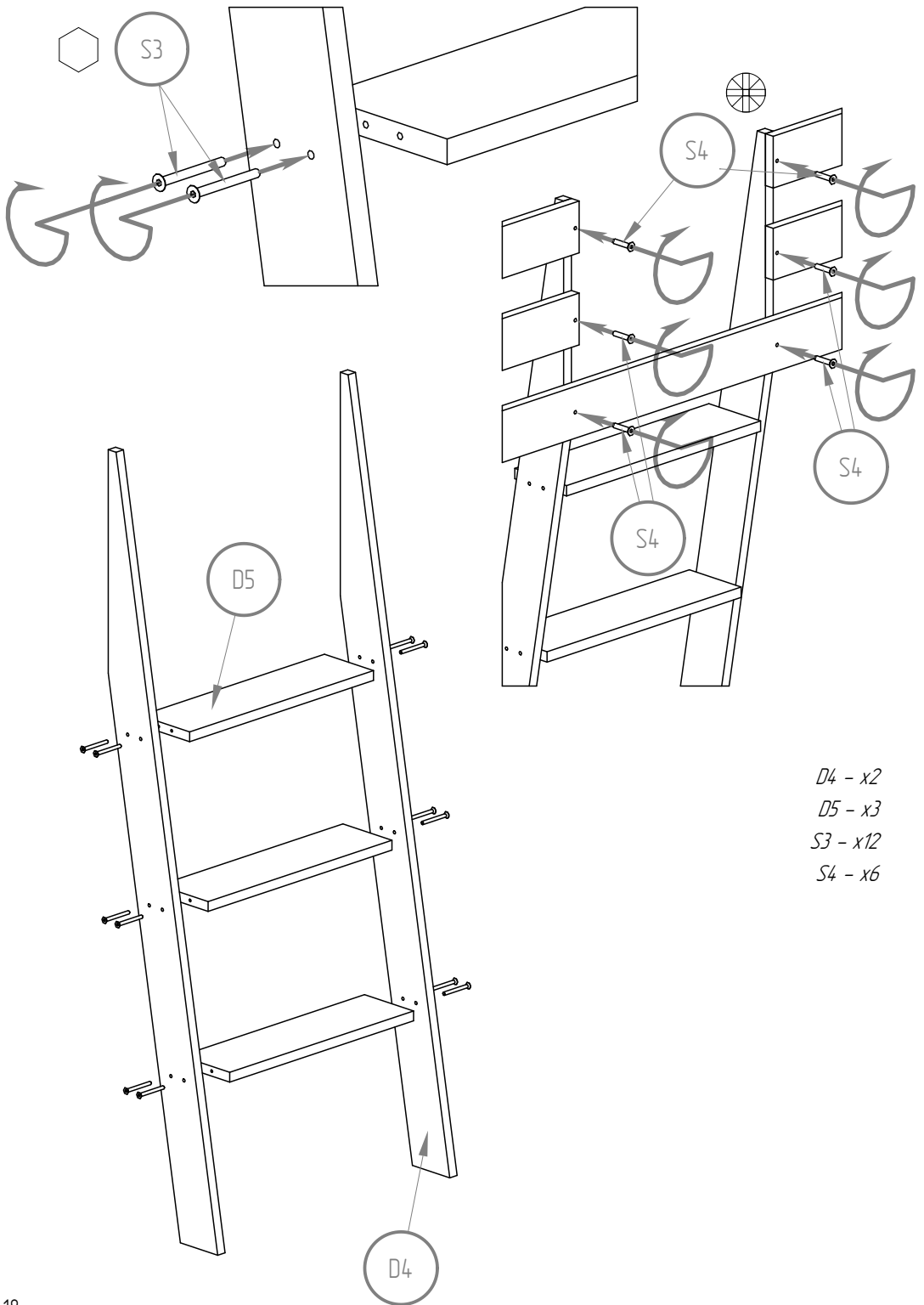
K - x12

B1 - x4

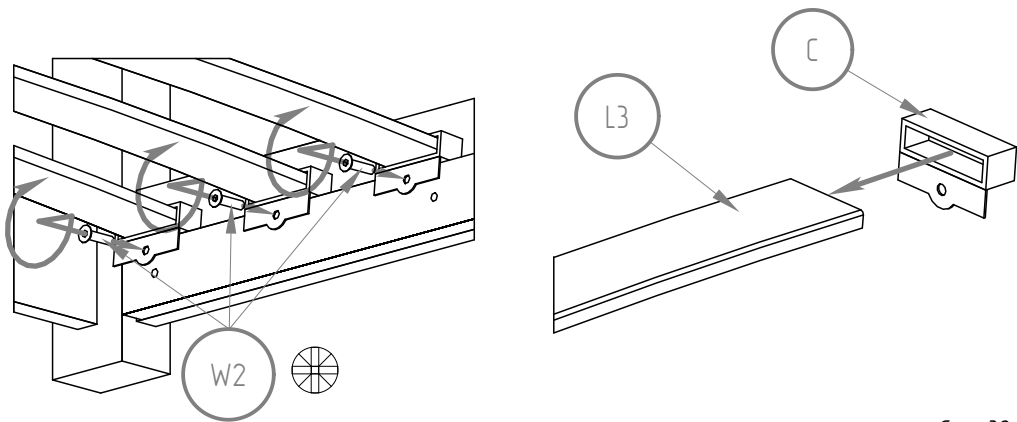




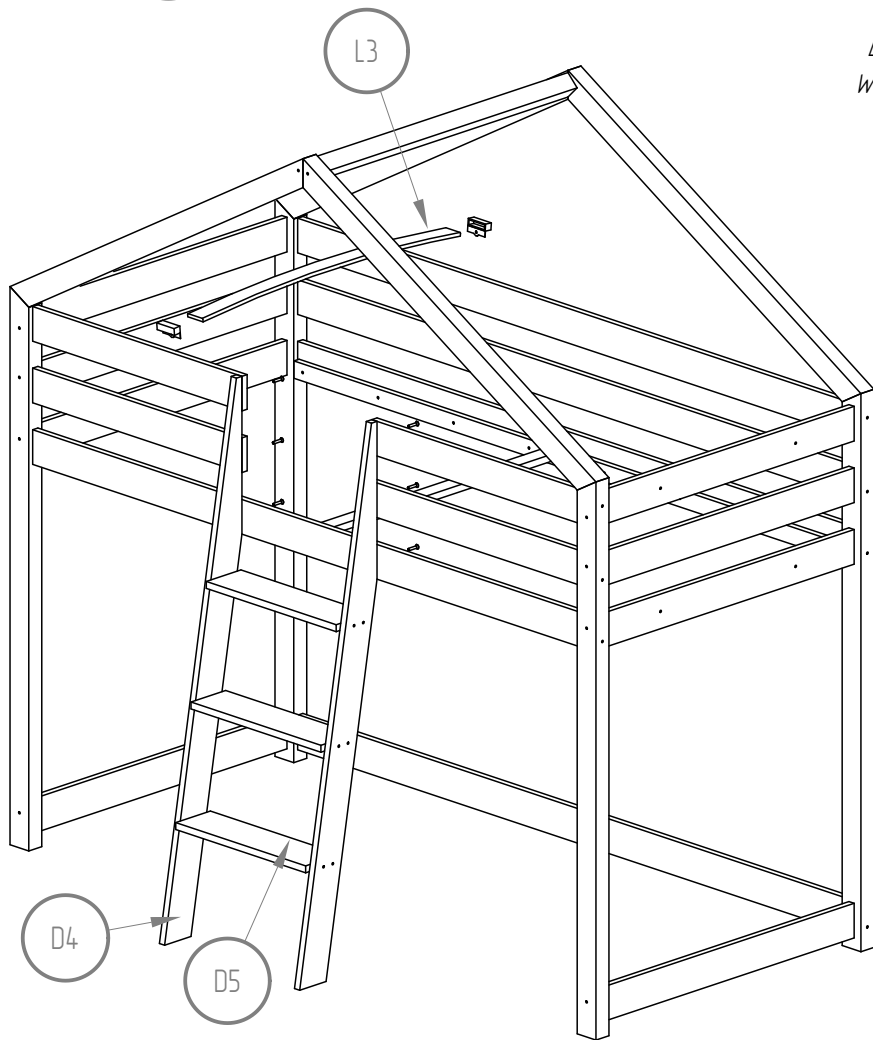
- B3 - x1*
- L2 - x1*
- S2 - x4*
- W1 - x2*



- D4 - x2
- D5 - x3
- S3 - x12
- S4 - x6



C - x32
L3 - x16
W2 - x32



Miles 7X

70x140 70x160

80x140 80x160

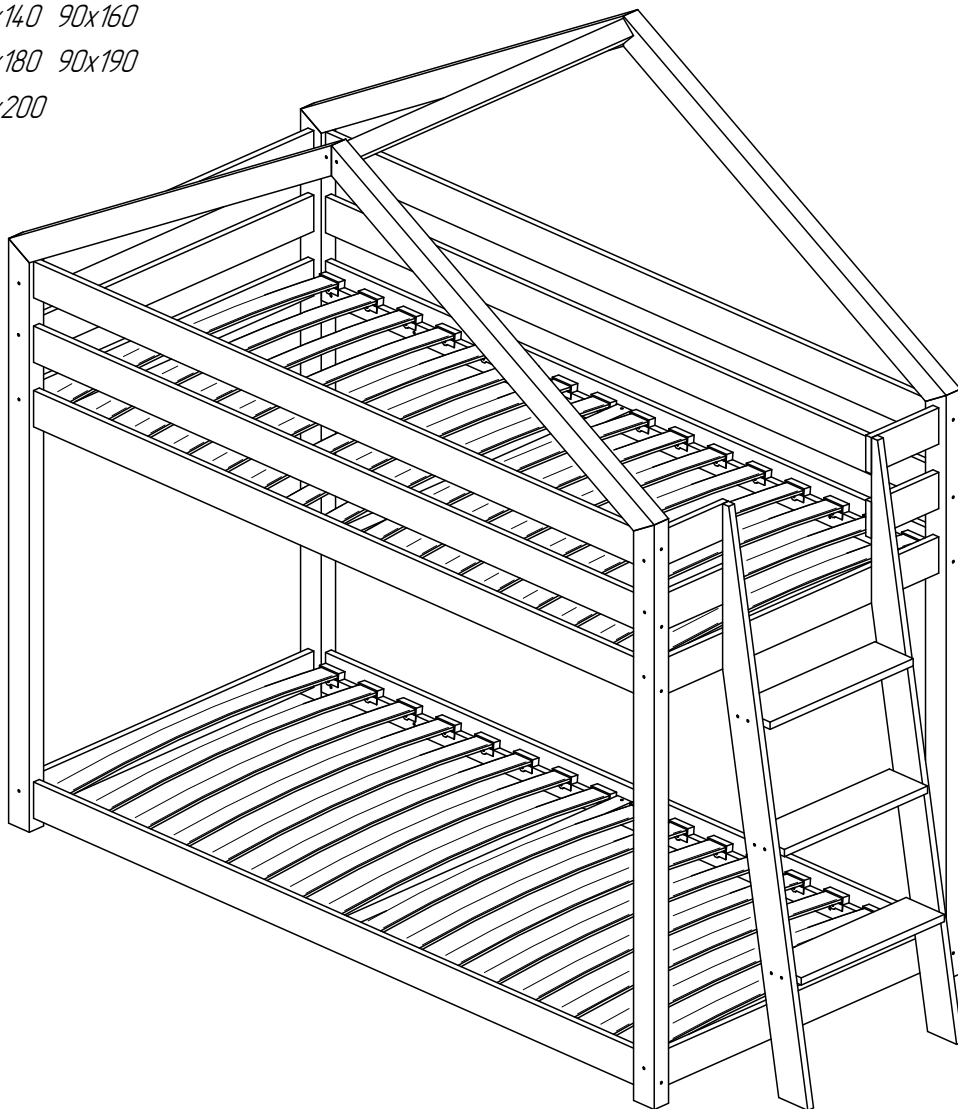
80x180 80x190

80x200

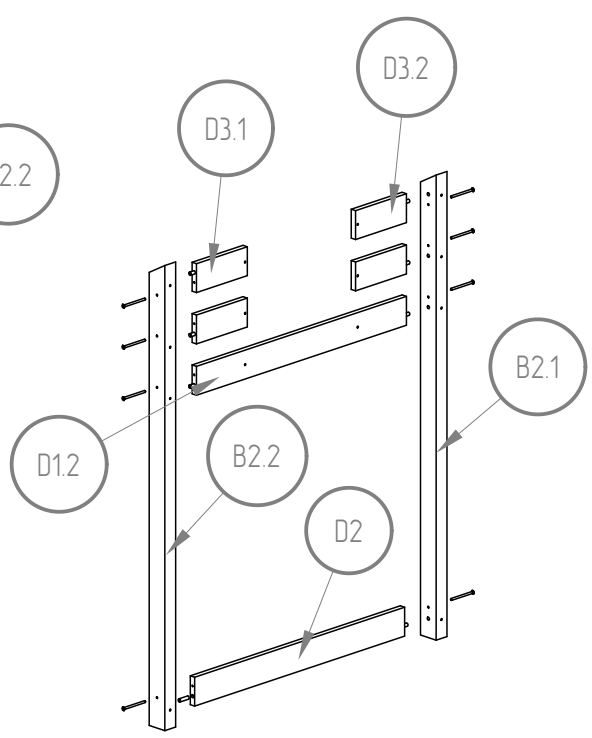
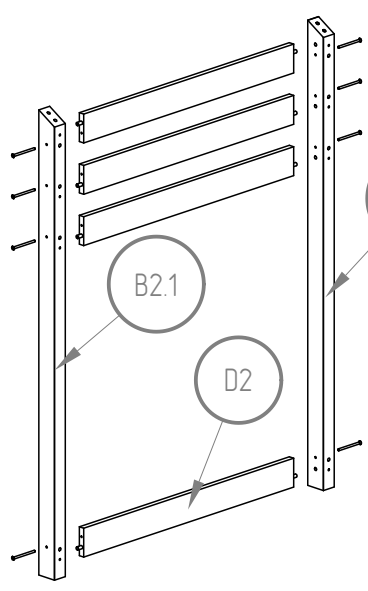
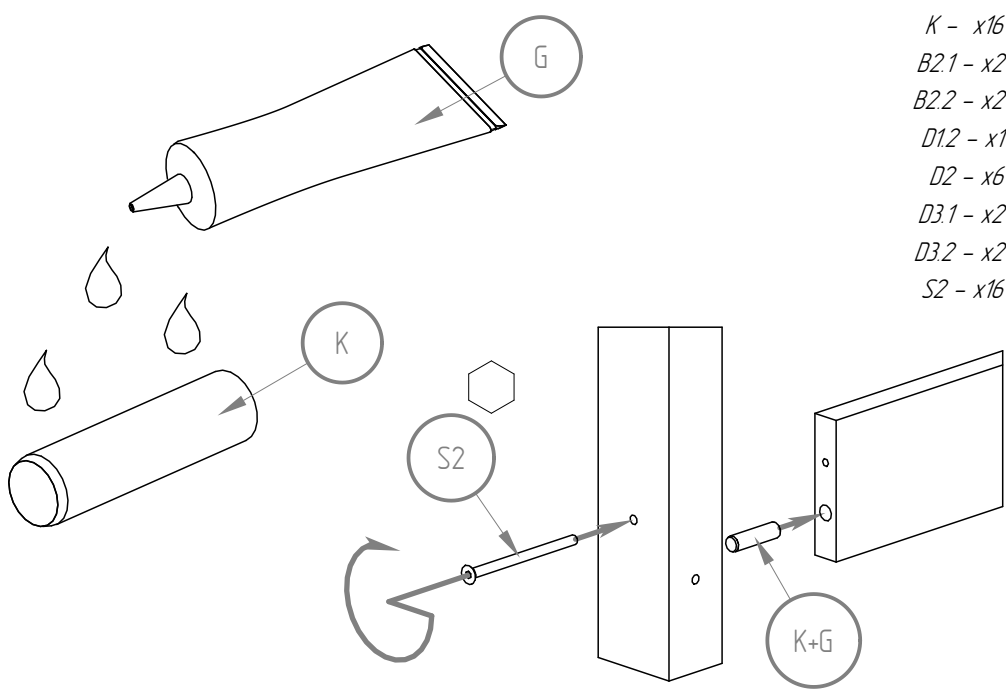
90x140 90x160

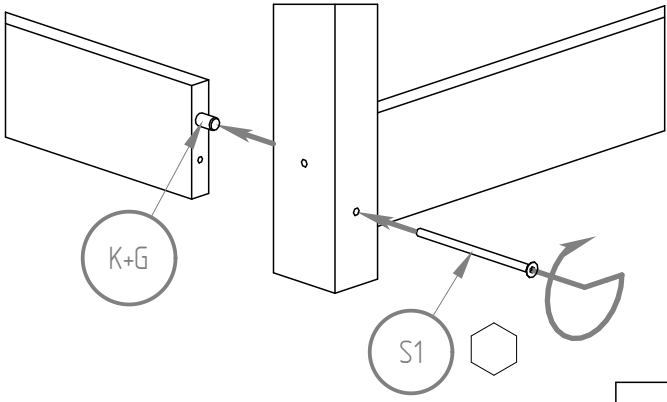
90x180 90x190

90x200

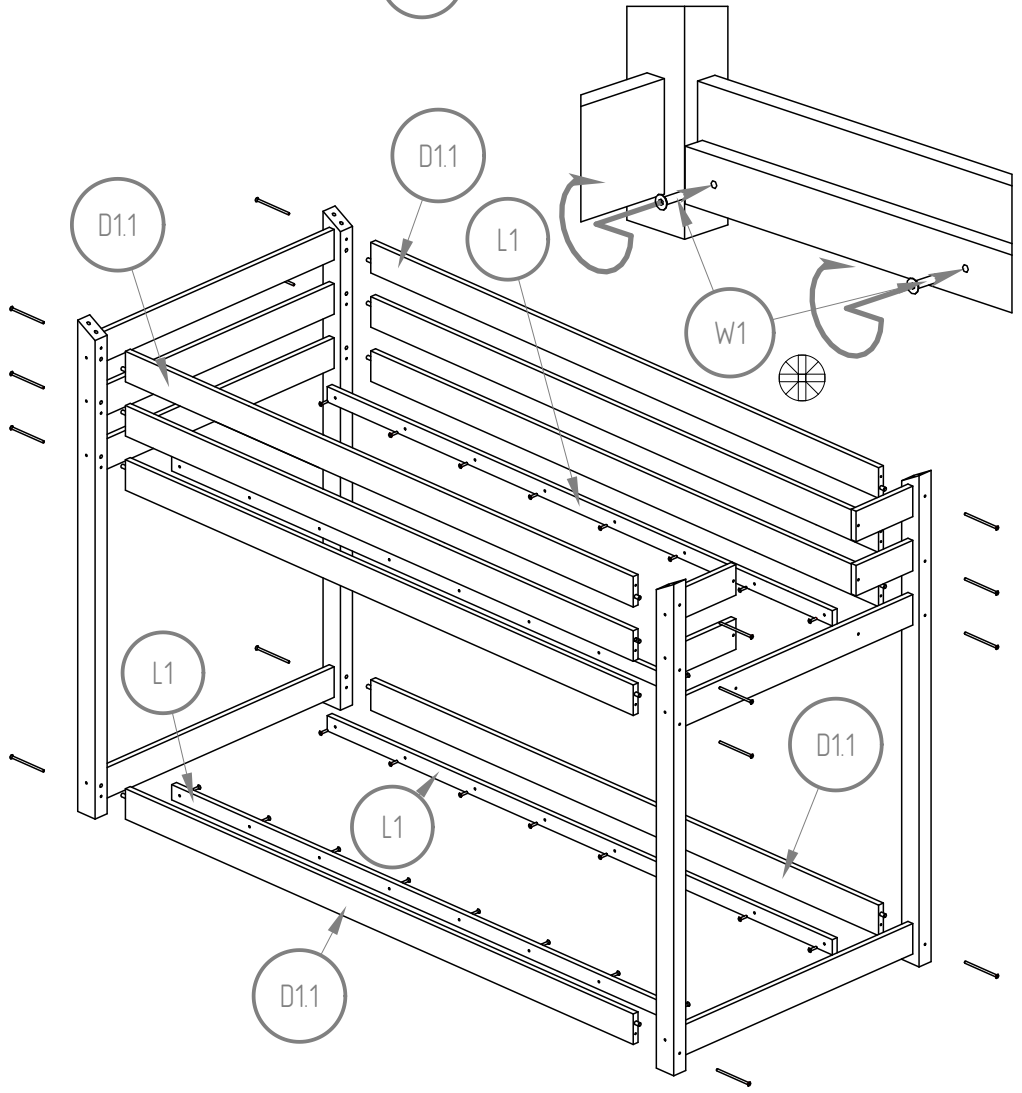


- K - x16*
- B2.1 - x2*
- B2.2 - x2*
- D1.2 - x1*
- D2 - x6*
- D3.1 - x2*
- D3.2 - x2*
- S2 - x16*



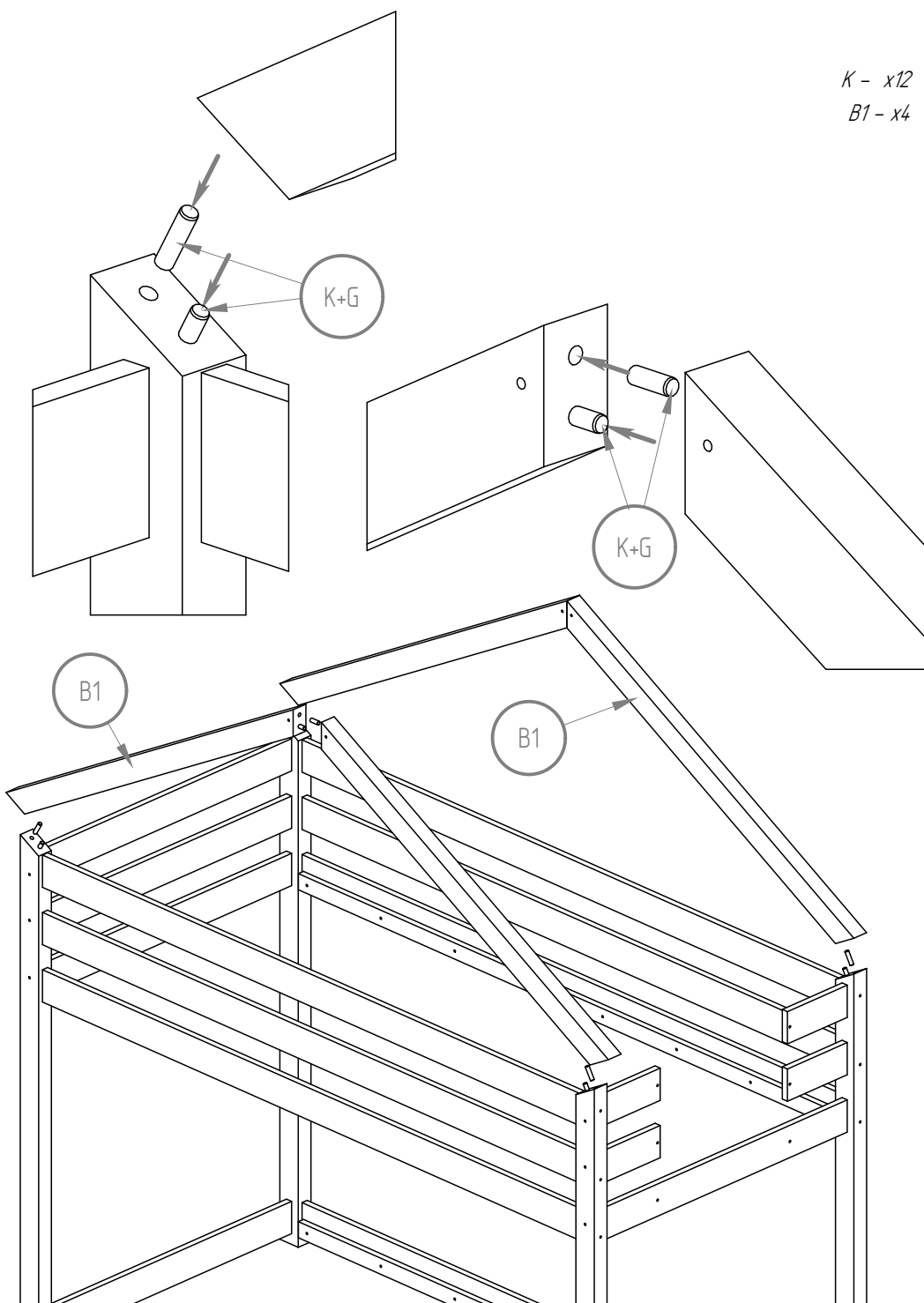


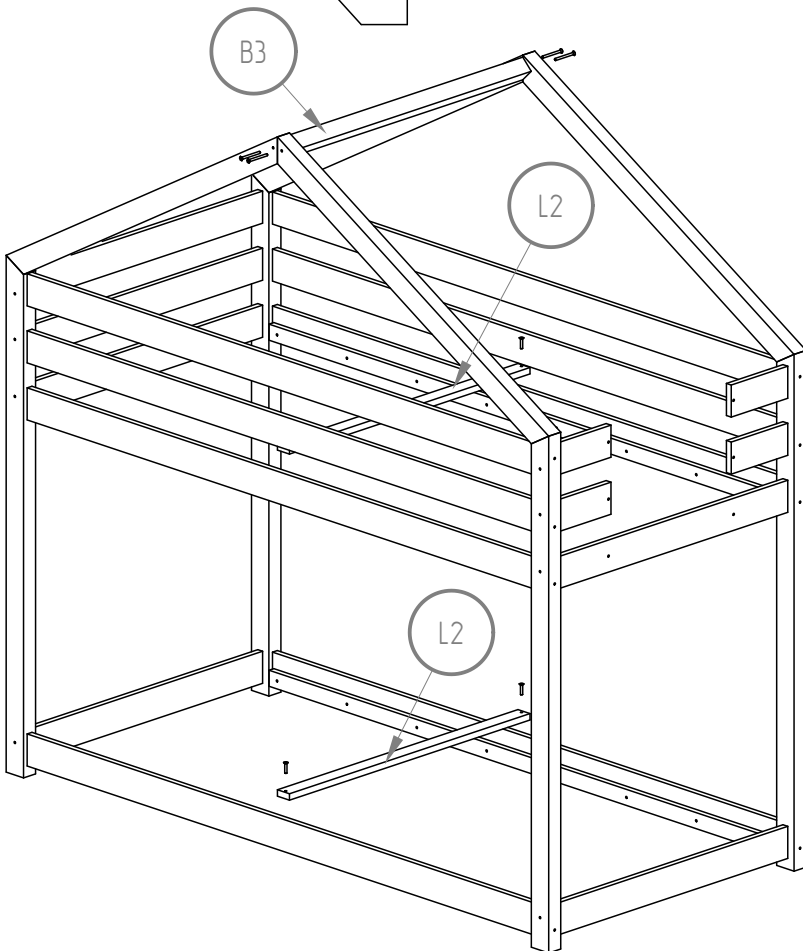
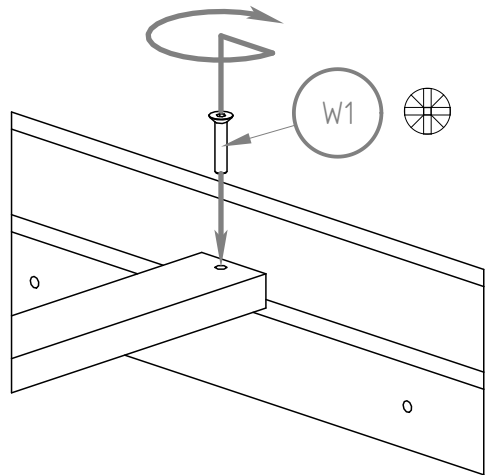
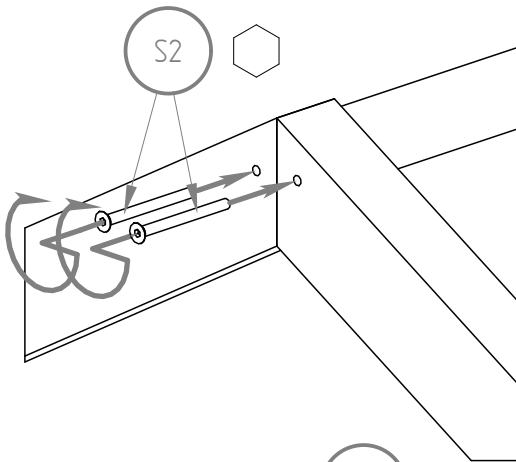
- K - x16*
- D1.1 - x8*
- L1 - x4*
- S1 - x16*
- W1 - x32*



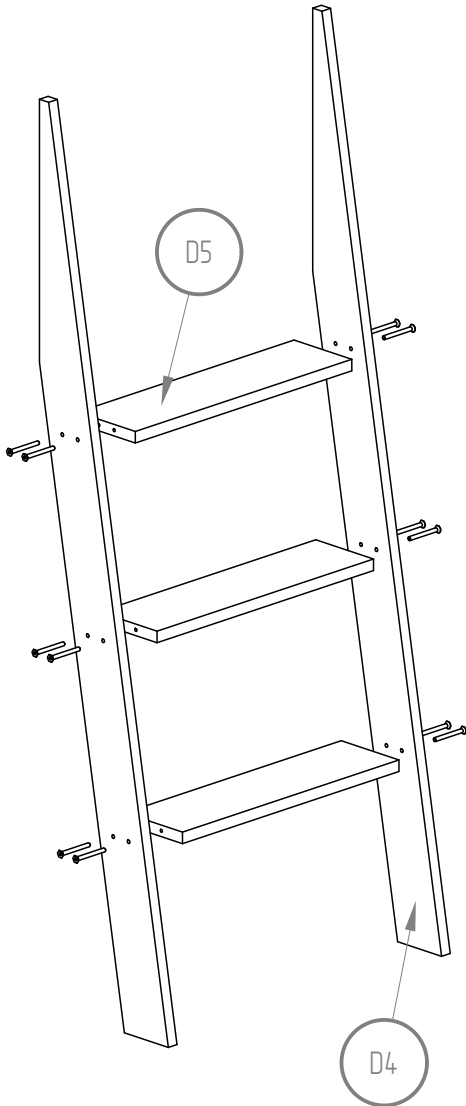
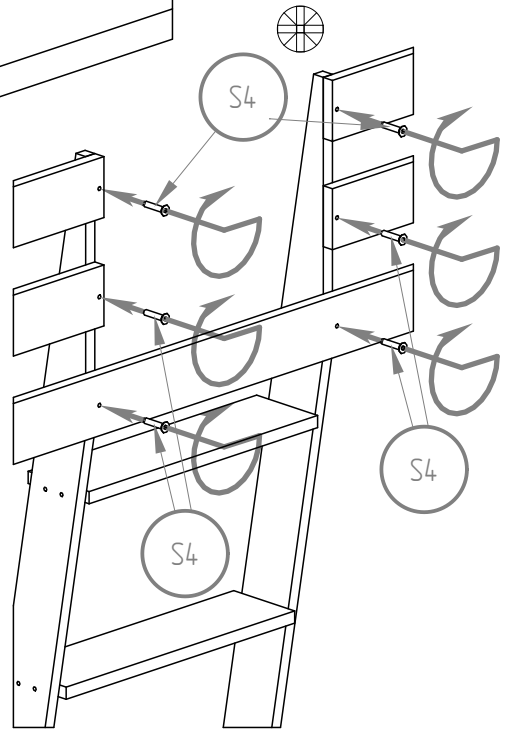
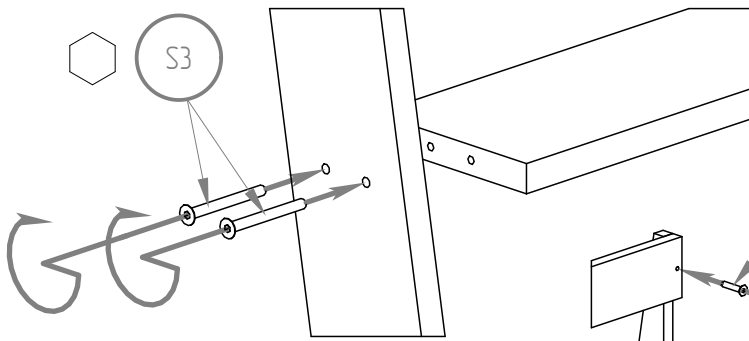
K - x12

B1 - x4

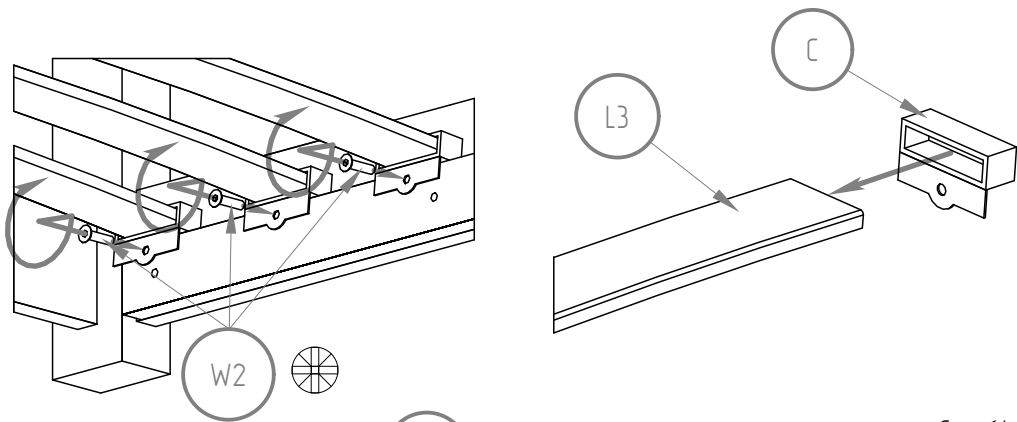




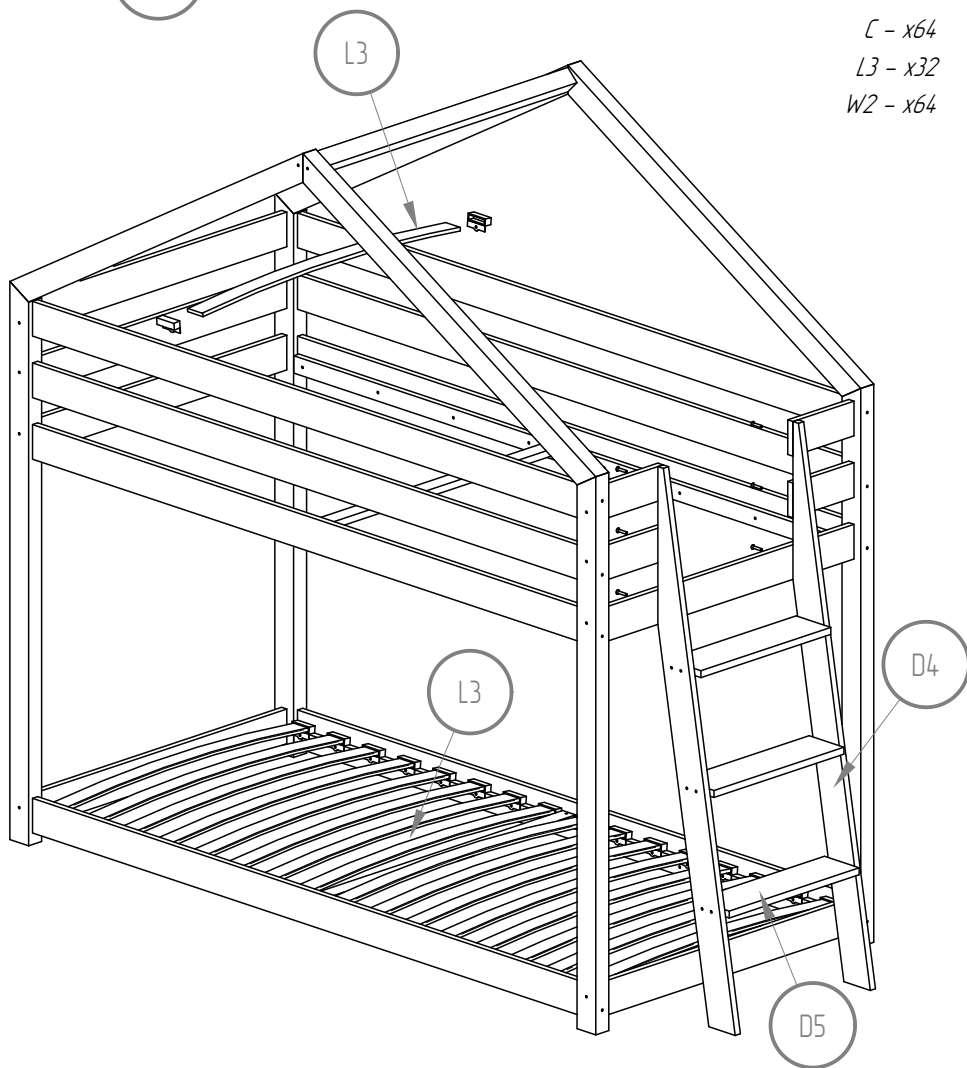
B3 - x1
L2 - x2
S2 - x4
W1 - x4



- D4 - x2
- D5 - x3
- S3 - x12
- S4 - x6



C - x64
L3 - x32
W2 - x64



Miles 9X

70x140 70x160

80x140 80x160

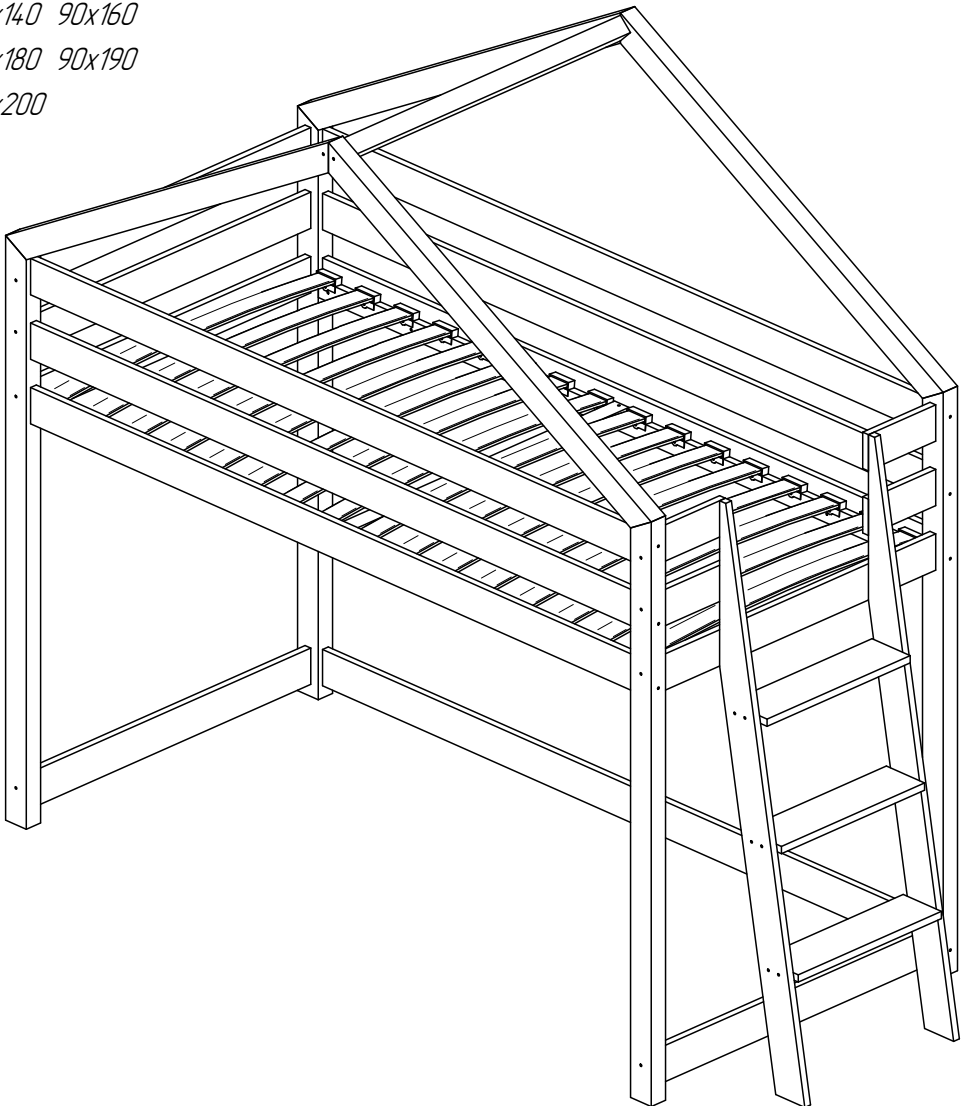
80x180 80x190

80x200

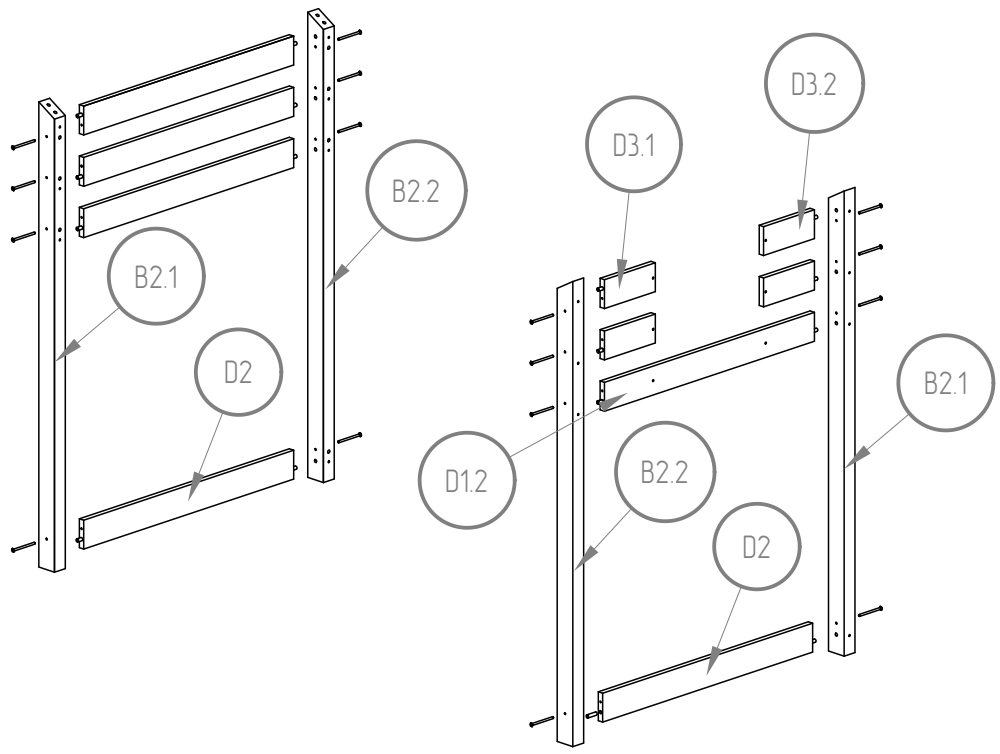
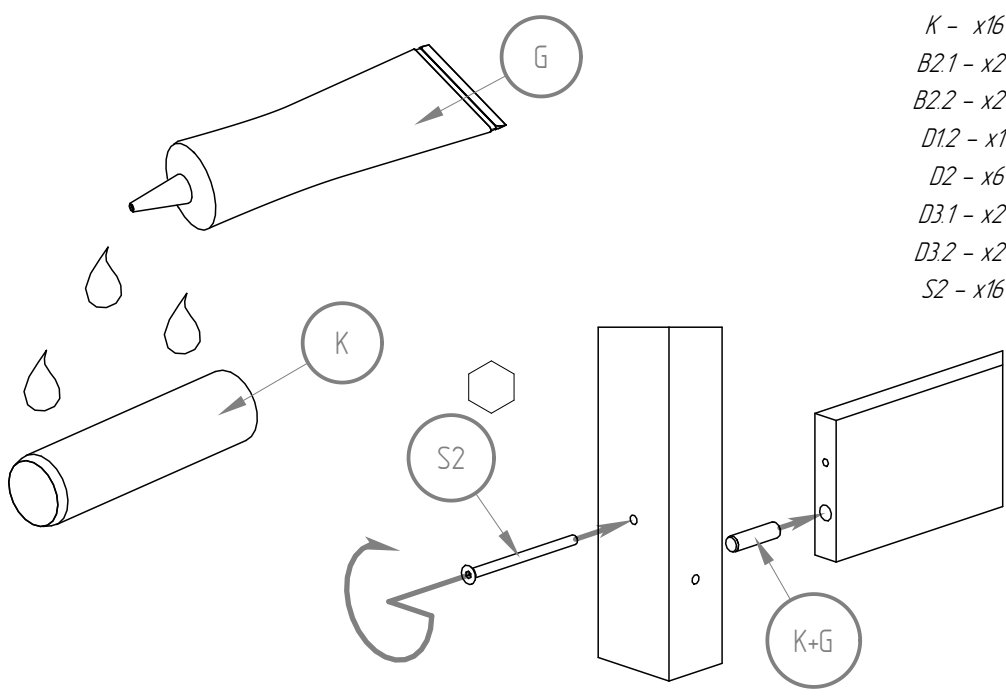
90x140 90x160

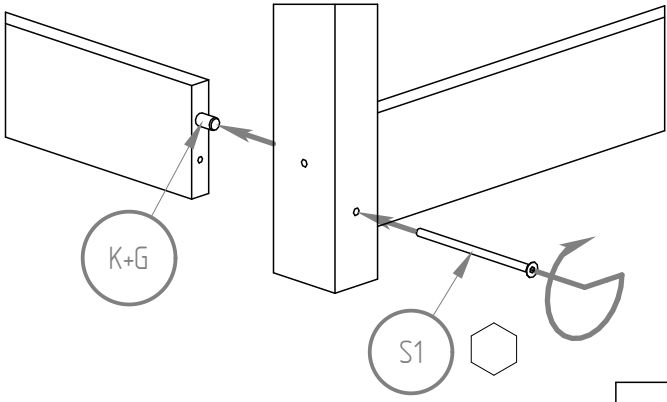
90x180 90x190

90x200

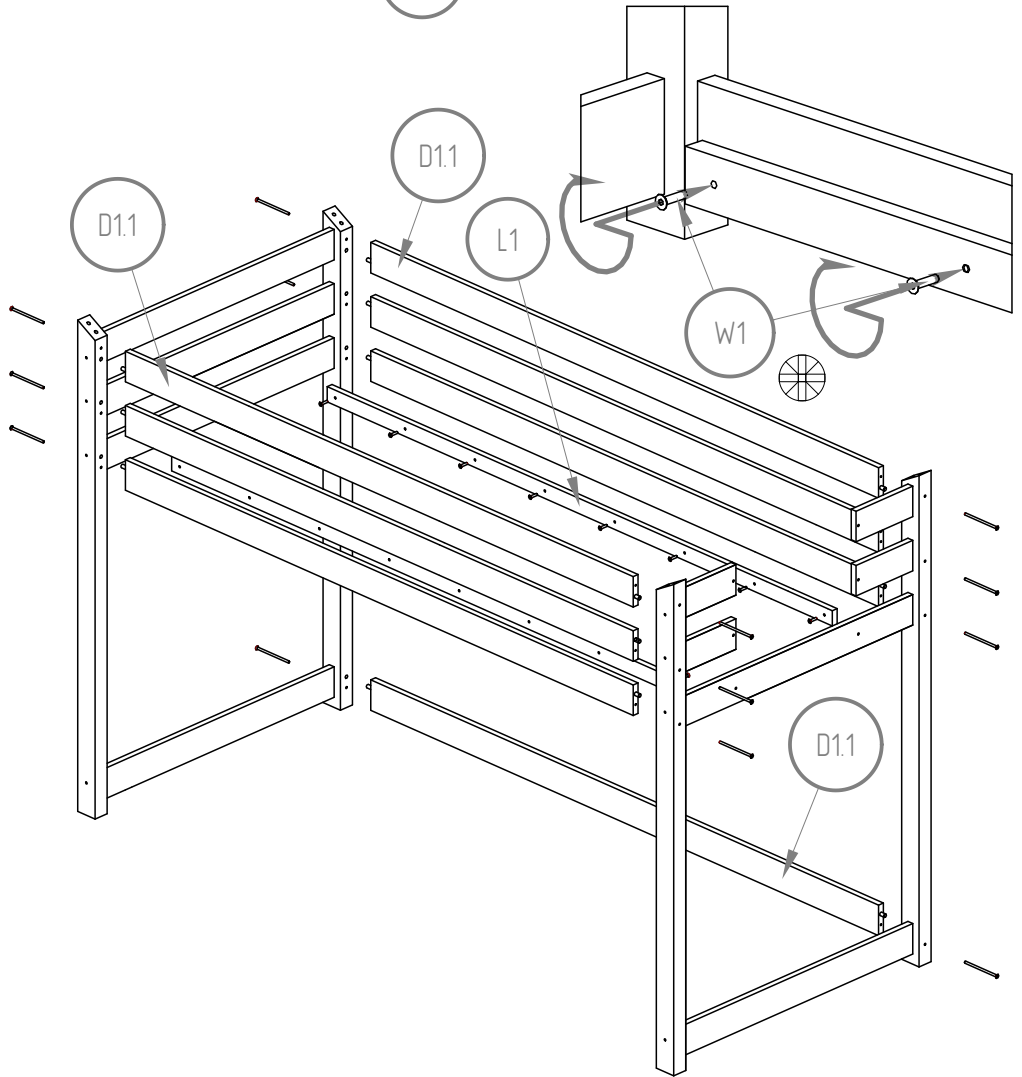


- K - x16*
- B2.1 - x2*
- B2.2 - x2*
- D1.2 - x1*
- D2 - x6*
- D3.1 - x2*
- D3.2 - x2*
- S2 - x16*



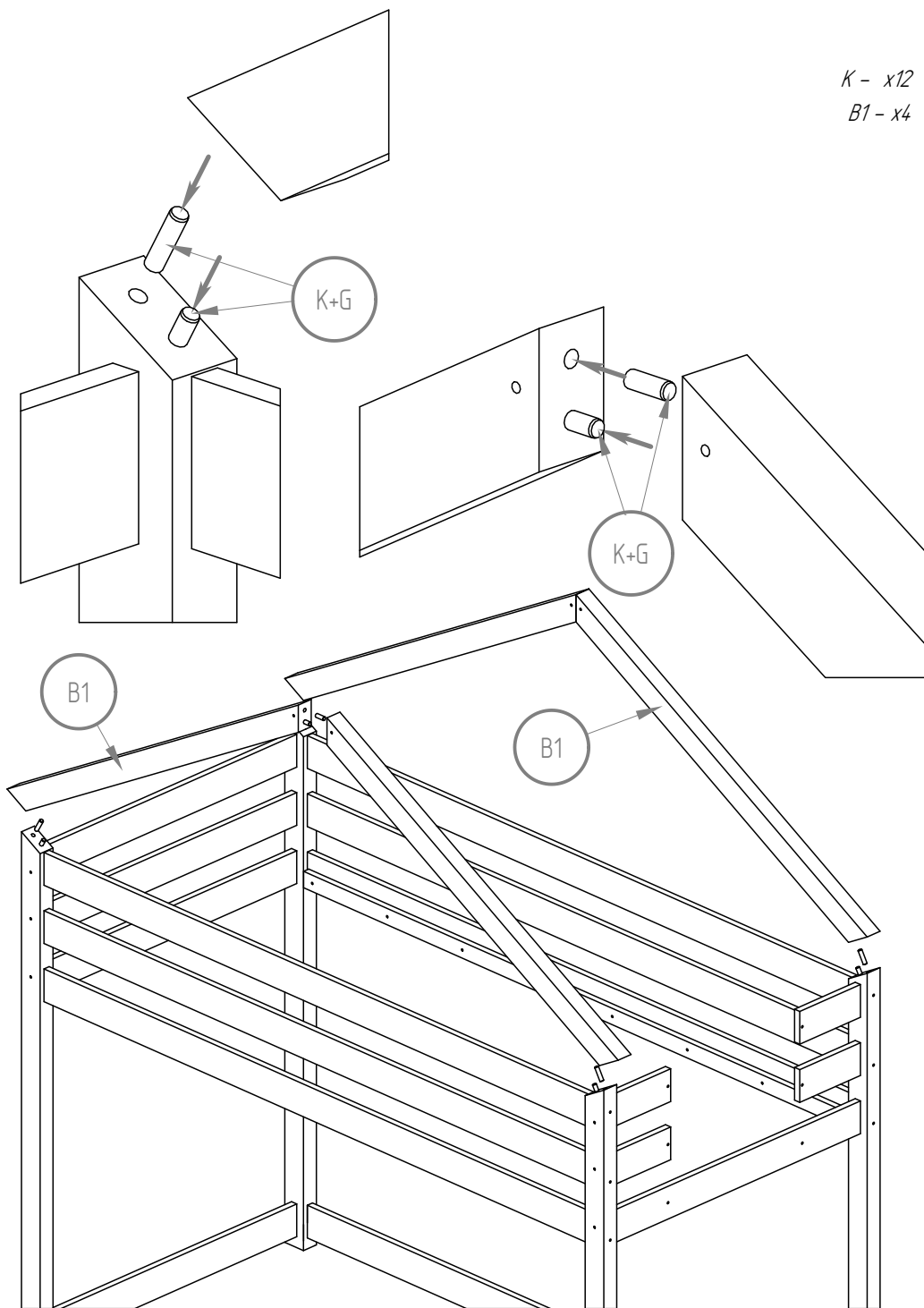


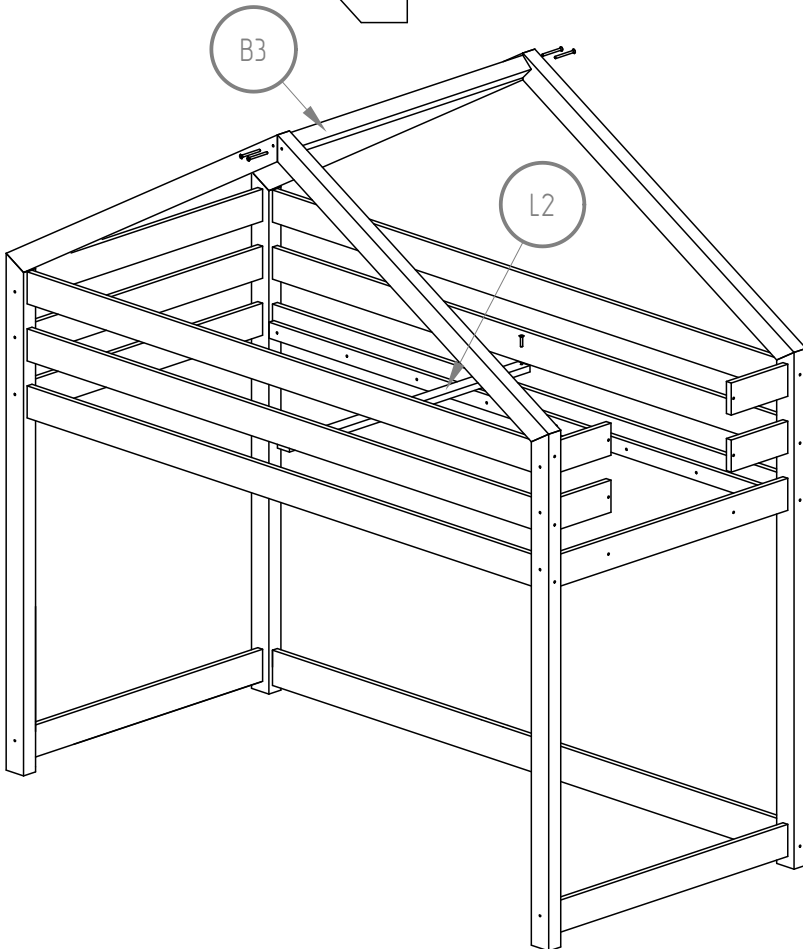
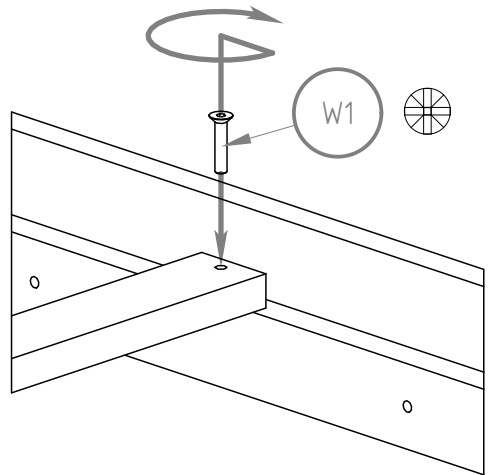
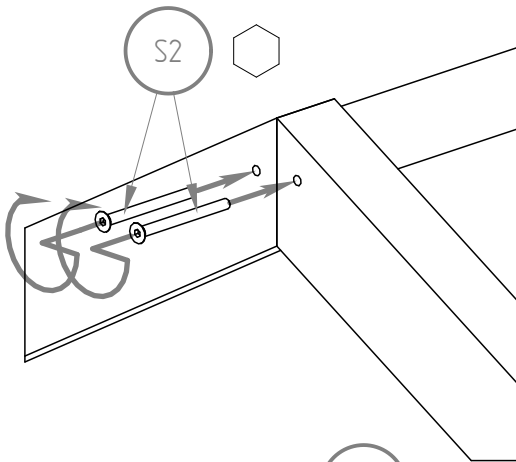
- K - x14*
- D1.1 - x7*
- D1.2 - x1*
- L1 - x2*
- S1 - x14*
- W1 - x16*



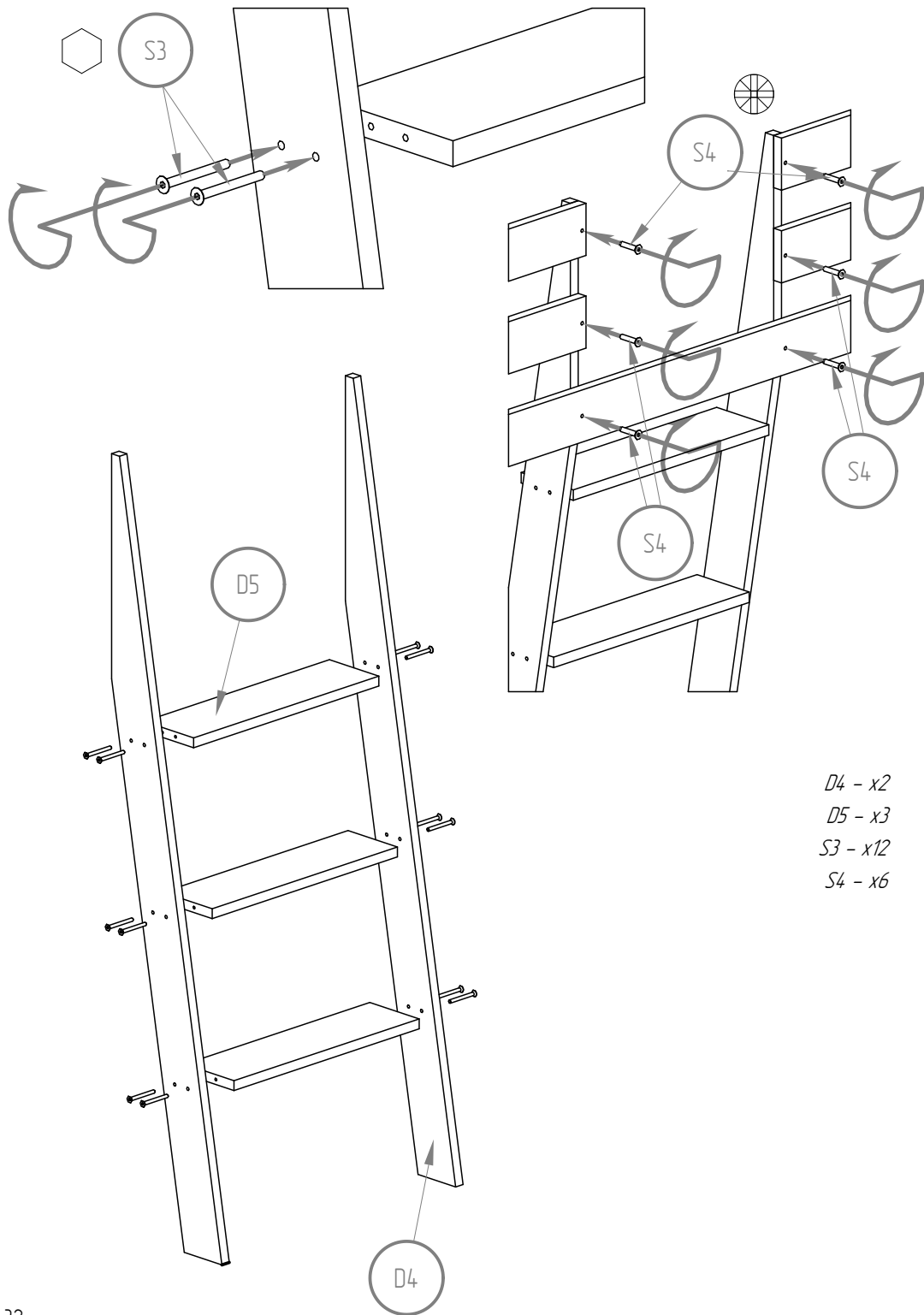
K - x12

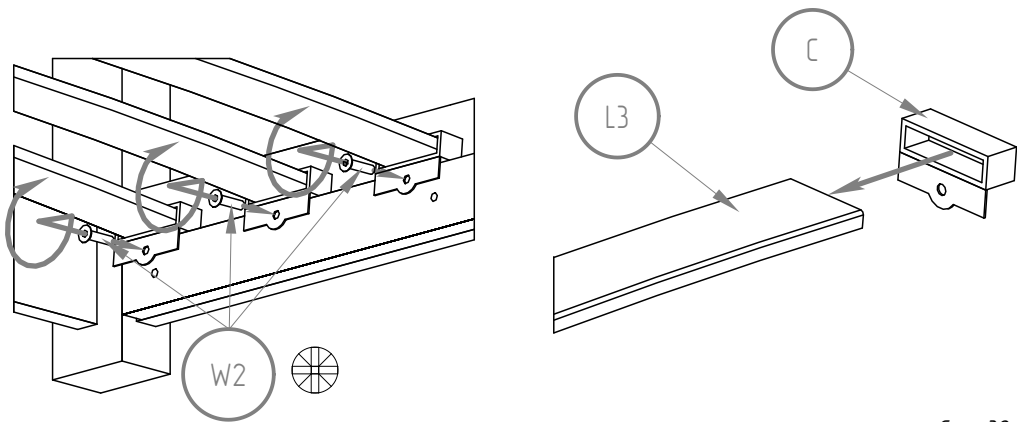
B1 - x4





- B3 - x1*
- L2 - x1*
- S2 - x4*
- W1 - x2*





C - x32
L3 - x16
W2 - x32

